

Materials Molded:

All the engineering and high performance THERMOPLASTIC materials such as Nylon, Acetal, Polycarbonate, Styrene, ABS, Polyamide-imide, Polysulfone, Liquid crystal polymer, Polyethylene Sulfide, Polyetherimide, Polyimide, Polyketone. All glass filled formulations, PTFE filled plastics and mineral filled materials.

Other Services Available:

A complete package including molding, all secondary operations and final assembly. Operations include hot stamping, ultrasonic bonding, engraving, spin welding, drilling and tapping, etc.

Additional Capabilities:

Custom Injection Molding of engineering and high performance grade plastics. (40 to 500 ton machine capacity).

Stock shapes & profiles offered in high performance plastics.

Our Specialty:

The ability to provide low cost tooling and molding of precision plastic parts in quantities as low as one hundred pieces to millions of pieces to precision tolerances and specifications. We serve the critical requirements of the aerospace, automotive, business machine, computer peripheral, electronic, fluid power, OEM, packaging, telecommunication, vending and weighing industries.

Plastock®

11 Danco Road, Putnam CT 06260

To Order Call Toll Free 1-800-752-7865

Phone: 860-928-7911

Fax 860-928-2229



Plastock® is a product line of Putnam Precision Molding, our mission is that of being a world class leader in the custom injection molding of close tolerance high performance engineered resins and power transmission components. With our valued team of employees, we are dedicated to providing service, quality, innovation and technical support. The end result being that of an everlasting partnership and growth opportunity for both Plastock and all of our appreciated customers.

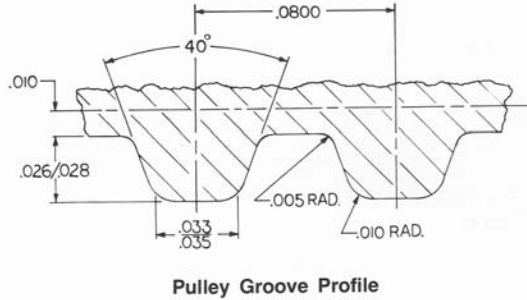
For more information you may also see us on the web at

<http://www.putnamprecisionmolding.com>
or order on line at <http://www.plastockonline.com>

ISO 9002

Plastock® is a registered trademark of Putnam Precision Molding

.0800" (MXL) Pitch Ultra Precision Pulleys Made of Lexan in 30 Sizes



Now the designer can incorporate positive drives with small components for power transmission applications as well as critical timing applications. Plastock has available a complete line of plastic "Mini-Drive-Components," both pulleys and belts in many sizes. The designer and engineer can "customize" many drive systems with varying speed reductions and centering distances utilizing standard components.

Specifications

Pulley Material: Fiberglass reinforced Lexan. An important feature of this material is that it will take any loading condition the belt will take, no exceptions.

Data:

Tensile strength (psi)	16,000
Compressive strength (psi)	16,000
Flexural strength (psi)	19,000
Impact (ft-lbs/in. notch):	2.0
Water Absorption	
(24 hrs.) equilibrium @ 73° F	0.29%

Tolerance Chart

Size	Pulley Diameter	Eccentricity Bore to OD (TIR) Total Indicated Reading	Wobble Perpendicularity (Face to Bore)
10-30 T	+0.003" -0.001"	.004"	.004"
32-80 T	+0.004" -0.001"	.005"	.006"
90-130 T	+0.005" -0.001"	.006"	.007"
Bore +.001 -.000			

Advantages:

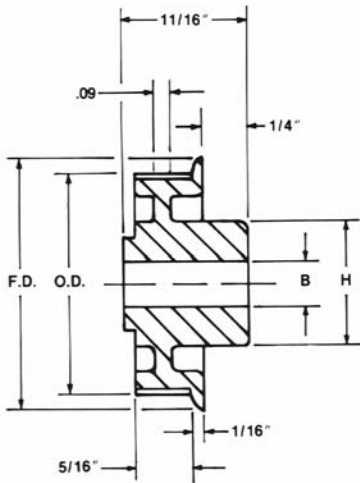
- Positive drive, no backlash where space is a problem in design
- Can replace gear drives with comparably close centering distances
- Quiet operation, both the belts and pulleys have noise dampening qualities
- Excellent reduction ratios of driver and driven in small centering distances as well as large centering distances
- Light weight, requires no lubrication
- Can operate at almost any speed
- Can be fastened to shafts by conventional methods such as set screws, "D" bores, pinning, flats, press fit, cementing etc.
- Non-corrosive, will not rust
- Non-magnetic and non-conductive
- Tolerances equivalent to metal pulleys

Plastock®

11 Danco Road, Putnam CT 06260 To Order Call 1-800-752-7865

**.0800" Pitch (MXL) Timing Belt Pulleys
For Belts up to 1/4" Wide**

	Part Number	# of Teeth	Pulley (OD)	Pulley Pitch Dia.	Flange (FD)	Stock Bore (B)	Hub Dia. (H)
Single Flange on Hub Side	10T0800SF	10	.235"	.255"	.42"	3/32"	7/16"
	11T0800SF	11	.260"	.280"	.45"	3/32"	7/16"
	12T0800SF	12	.286"	.306"	.47"	3/32"	7/16"
	14T0800SF	14	.337"	.357"	.53"	1/8"	7/16"
	15T0800SF	15	.362"	.382"	.55"	1/8"	7/16"
	16T0800SF	16	.387"	.407"	.58"	1/8"	7/16"
	18T0800SF	18	.438"	.458"	.63"	3/16"	1/2"
	20T0800SF	20	.489"	.509"	.68"	3/16"	1/2"
	21T0800SF	21	.515"	.535"	.70"	3/16"	1/2"
	22T0800SF	22	.540"	.560"	.73"	3/16"	1/2"
	24T0800SF	24	.591"	.611"	.78"	3/16"	1/2"
	26T0800SF	26	.642"	.662"	.83"	1/4"	11/16"
	28T0800SF	28	.693"	.713"	.88"	1/4"	11/16"
	30T0800SF	30	.744"	.764"	.93"	1/4"	11/16"
	32T0800SF	32	.795"	.815"	.98"	1/4"	11/16"
	36T0800SF	36	.897"	.917"	1.09"	1/4"	11/16"
	40T0800SF	40	.999"	1.019"	1.19"	1/4"	11/16"
	42T0800SF	42	1.050"	1.070"	1.24"	1/4"	11/16"
	44T0800SF	44	1.100"	1.120"	1.29"	1/4"	11/16"
	48T0800SF	48	1.202"	1.222"	1.39"	1/4"	11/16"
Material: 10% Glass Filled Polycarbonate	50T0800SF	50	1.253"	1.273"	1.44"	1/4"	11/16"
	60T0800SF	60	1.508"	1.528"	1.70"	1/4"	11/16"
	65T0800SF	65	1.635"	1.655"	1.82"	5/16"	11/16"
	72T0800SF	72	1.813"	1.833"	2.00"	5/16"	11/16"
	80T0800SF	80	2.017"	2.037"	2.21"	5/16"	11/16"
	90T0800SF	90	2.272"	2.292"	2.46"	5/16"	11/16"
	100T0800SF	100	2.526"	2.546"	2.71"	5/16"	11/16"
	110T0800SF	110	2.781"	2.801"	2.97"	5/16"	11/16"
	120T0800SF	120	3.036"	3.056"	3.22"	5/16"	11/16"
	130T0800SF	130	3.290"	3.310"	3.48"	5/16"	11/16"



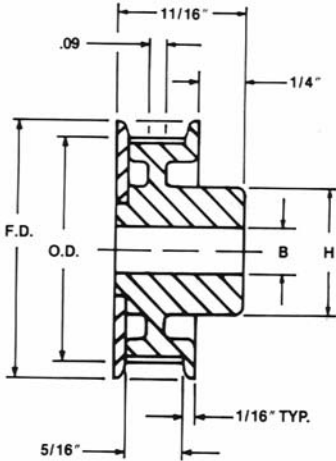
Examples of Specials: Bores: "D" Shaped, Key Slots, Square or Spline
 Hubless or hub diameters other than standard
 Aluminum, brass or stainless steel inserts thru bore with pulley over-molded
 Non-standard bores including metric bores are available upon request
 One or two set screws are optional

Plastock®

11 Danco Road, Putnam CT 06260 To Order Call 1-800-752-7865

**.0800" Pitch (MXL) Timing Belt Pulleys
For Belts up to 1/4" Wide**

	Part Number	# of Teeth	Pulley (OD)	Pulley Pitch Dia.	Flange (FD)	Stock Bore (B)	Hub Dia. (H)	
Double Flange	10T0800DF	10	.235"	.255"	.42"	3/32"	7/16"	
	11T0800DF	11	.260"	.280"	.45"	3/32"	7/16"	
	12T0800DF	12	.286"	.306"	.47"	3/32"	7/16"	
	14T0800DF	14	.337"	.357"	.53"	1/8"	7/16"	
	15T0800DF	15	.362"	.382"	.55"	1/8"	7/16"	
	16T0800DF	16	.387"	.407"	.58"	1/8"	7/16"	
	18T0800DF	18	.438"	.458"	.63"	3/16"	1/2"	
	20T0800DF	20	.489"	.509"	.68"	3/16"	1/2"	
	21T0800DF	21	.515"	.535"	.70"	3/16"	1/2"	
	22T0800DF	22	.540"	.560"	.73"	3/16"	1/2"	
	24T0800DF	24	.591"	.611"	.78"	3/16"	1/2"	
	26T0800DF	26	.642"	.662"	.83"	1/4"	11/16"	
	28T0800DF	28	.693"	.713"	.88"	1/4"	11/16"	
	30T0800DF	30	.744"	.764"	.93"	1/4"	11/16"	
	32T0800DF	32	.795"	.815"	.98"	1/4"	11/16"	
	36T0800DF	36	.897"	.917"	1.09"	1/4"	11/16"	
	40T0800DF	40	.999"	1.019"	1.19"	1/4"	11/16"	
	42T0800DF	42	1.050"	1.070"	1.24"	1/4"	11/16"	
	44T0800DF	44	1.100"	1.120"	1.29"	1/4"	11/16"	
	48T0800DF	48	1.202"	1.222"	1.39"	1/4"	11/16"	
	Material: 10% Glass Filled Polycarbonate	50T0800DF	50	1.253"	1.273"	1.44"	1/4"	11/16"
		60T0800DF	60	1.508"	1.528"	1.70"	1/4"	11/16"
65T0800DF		65	1.635"	1.655"	1.82"	5/16"	11/16"	
72T0800DF		72	1.813"	1.833"	2.00"	5/16"	11/16"	
80T0800DF		80	2.017"	2.037"	2.21"	5/16"	11/16"	
90T0800DF		90	2.272"	2.292"	2.46"	5/16"	11/16"	
100T0800DF		100	2.526"	2.546"	2.71"	5/16"	11/16"	
110T0800DF		110	2.781"	2.801"	2.97"	5/16"	11/16"	
120T0800DF		120	3.036"	3.056"	3.22"	5/16"	11/16"	
130T0800DF		130	3.290"	3.310"	3.48"	5/16"	11/16"	



Examples of Specials: Bores: "D" Shaped, Key Slots, Square or Spline
 Hubless or hub diameters other than standard
 Aluminum, brass or stainless steel inserts thru bore with pulley over-molded
 Non-standard bores including metric bores are available upon request
 One or two set screws are optional

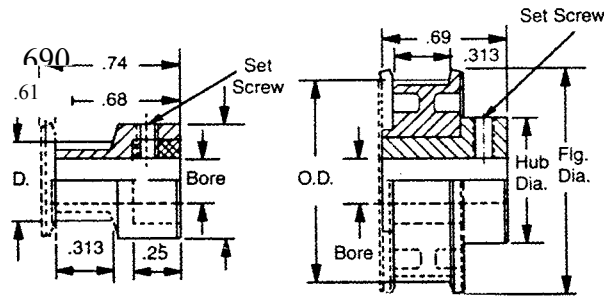
Plastock®

11 Danco Road, Putnam CT 06260 To Order Call 1-800-752-7865

.0800" Pitch (MXL) Timing Belt Pulleys

For Belts up to 1/4" Wide

O.D. Tolerance	
# Teeth	± Tol.
10-24	+.003 -.001
25-70	+.004 -.001
71-120	



: 12-18 Grooves

20-120 Grooves

Single Flange	Double Flange	# of Teeth	O.D.	Pitch Dia.	Flange O.D.	Bore +.001 -.000	Hub Dia.	Set Screw
12T0800SFAH1S	12T0800DFAH1S	12	.286"	.306"	.47"	.125"	7/16"	#4-40
14T0800SFAH1S	14T0800DFAH1S	14	.337"	.357"	.53"	.125"	7/16"	#4-40
15T0800SFAH1S	15T0800DFAH1S	15	.362"	.382"	.55"	.187"	7/16"	#6-32
16T0800SFAH1S	16T0800DFAH1S	16	.387"	.407"	.58"	.250"	7/16"	#8-32
18T0800SFAH1S	18T0800DFAH1S	18	.438"	.458"	.63"	.250"	1/2"	#8-32
20T0800SFAH1S	20T0800DFAH1S	20	.489"	.509"	.68"	.187"	1/2"	#6-32
21T0800SFAH1S	21T0800DFAH1S	21	.515"	.535"	.70"	.187"	1/2"	#6-32
22T0800SFAH1S	22T0800DFAH1S	22	.540"	.560"	.73"	.187"	1/2"	#6-32
24T0800SFAH1S	24T0800DFAH1S	24	.591"	.611"	.78"	.187"	1/2"	#6-32
26T0800SFAH1S	26T0800DFAH1S	26	.642"	.662"	.83"	.250"	11/16"	#8-32
28T0800SFAH1S	28T0800DFAH1S	28	.693"	.713"	.88"	.250"	11/16"	#8-32
30T0800SFAH1S	30T0800DFAH1S	30	.744"	.764"	.93"	.250"	11/16"	#8-32
32T0800SFAH1S	32T0800DFAH1S	32	.795"	.815"	.98"	.250"	11/16"	#8-32
36T0800SFAH1S	36T0800DFAH1S	36	.897"	.917"	1.09"	.250"	11/16"	#8-32
40T0800SFAH1S	40T0800DFAH1S	40	.999"	1.019"	1.19"	.250"	11/16"	#8-32
42T0800SFAH1S	42T0800DFAH1S	42	1.050"	1.070"	1.24"	.250"	11/16"	#8-32
44T0800SFAH1S	44T0800DFAH1S	44	1.100"	1.120"	1.29"	.250"	11/16"	#8-32
48T0800SFAH1S	48T0800DFAH1S	48	1.202"	1.222"	1.39"	.250"	11/16"	#8-32
50T0800SFAH1S	50T0800DFAH1S	50	1.253"	1.273"	1.44"	.250"	11/16"	#8-32
60T0800SFAH1S	60T0800DFAH1S	60	1.508"	1.528"	1.70"	.250"	11/16"	#8-32
65T0800SFAH1S	65T0800DFAH1S	65	1.635"	1.655"	1.82"	.312"	11/16"	#10-32
72T0800SFAH1S	72T0800DFAH1S	72	1.813"	1.833"	2.00"	.312"	11/16"	#10-32
80T0800SFAH1S	80T0800DFAH1S	80	2.017"	2.037"	2.21"	.312"	11/16"	#10-32
90T0800SFAH1S	90T0800DFAH1S	90	2.272"	2.292"	2.46"	.312"	11/16"	#10-32
100T0800SFAH1S	100T0800DFAH1S	100	2.526"	2.546"	2.71"	.312"	11/16"	#10-32
110T0800SFAH1S	110T0800DFAH1S	110	2.781"	2.801"	2.97"	.312"	11/16"	#10-32
120T0800SFAH1S	120T0800DFAH1S	120	3.036"	3.056"	3.22"	.312"	11/16"	#10-32
130T0800SFAH1S	130T0800DFAH1S	130	3.290"	3.310"	3.48"	.312"	11/16"	#10-32

Materials: 10% Glass Filled Polycarbonate Hub: Aluminum

Standard with (1) set screw

Additional set screws and non-standard bore sizes available upon request.

Plastock®

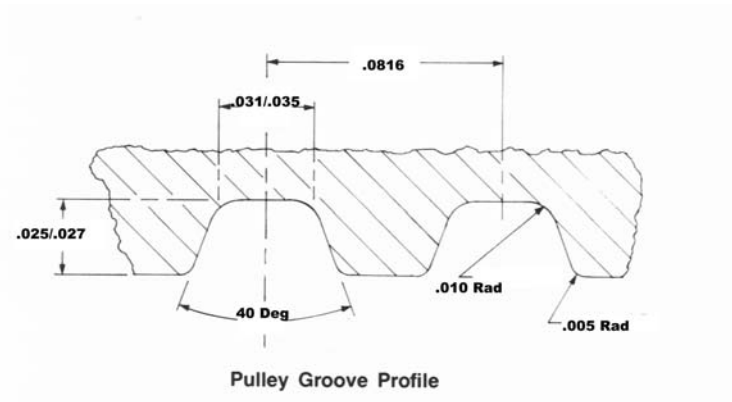
11 Danco Road, Putnam, CT 06260 To Order Call 1-800-752-7865

.0816" (40DP) Pitch Precision Pulleys Made of Delrin

40 Sizes in Both Single and Double Flange

Features:

- **Operation:** Positive slip proof engagement of belt and pulley assured. High mechanical efficiency with minimum backlash.
- **Lightweight:** Pulleys are about one-half the weight of aluminum allowing high speed operation without start and stop problems.
- **Lower Cost:** Low cost manufacturing techniques keep costs low without sacrificing quality. Prices substantially lower than conventional metal pulleys.
- **Long Belt Life:** Low coefficient of friction of Delrin adds life to belts. Precision molding assures quiet operation and minimum wear at high speeds. No lubrication is required. Wide speed ranges can be achieved.



Tolerance Chart

Size	Pulley Diameter	Eccentricity Bore to OD (TIR) Total Indicated Reading	Wobble Perpendicularity (Face to Bore)
10-30 Tooth	± .005"	.005"	.005"
32-80 Tooth	± .005"	.007"	.008"
84-120 Tooth	± .005"	.010"	.012"

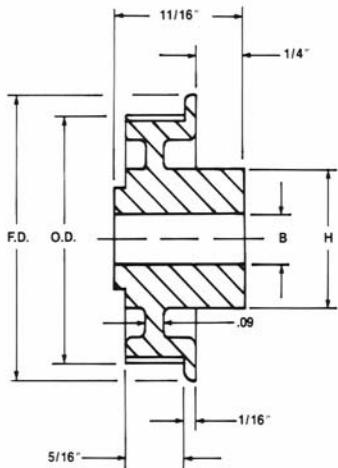
Bore Tolerance +.001/-.002

Plastock®

11 Danco Road, Putnam CT 06260 To Order Call 1-800-752-7865

**.0816" Pitch (40 DP) Timing Belt Pulleys
For Belts up to 1/4" Wide**

	Part Number	# of Teeth	Pulley (OD)	Pulley Pitch Dia.	Flange (FD)	Stock Bore (B)	Hub Dia. (H)
Single Flange on Hub Side	10MSF	10	.246"	.260"	.43"	3/32"	7/16"
	11MSF	11	.272"	.286"	.46"	3/32"	7/16"
	12MSF	12	.298"	.312"	.49"	3/32"	7/16"
	14MSF	14	.350"	.364"	.54"	1/8"	7/16"
	15MSF	15	.376"	.390"	.57"	1/8"	7/16"
	18MSF	18	.454"	.468"	.65"	3/16"	1/2"
	19MSF	19	.480"	.494"	.68"	3/16"	1/2"
	20MSF	20	.506"	.520"	.70"	3/16"	1/2"
	21MSF	21	.531"	.546"	.74"	3/16"	1/2"
	24MSF	24	.610"	.624"	.80"	3/16"	1/2"
	25MSF	25	.636"	.650"	.84"	1/4"	1/2"
	28MSF	28	.714"	.728"	.91"	1/4"	1/2"
	30MSF	30	.766"	.780"	.96"	1/4"	1/2"
	32MSF	32	.818"	.832"	1.01"	1/4"	1/2"
	34MSF	34	.870"	.884"	1.06"	1/4"	11/16"
	36MSF	36	.922"	.936"	1.11"	1/4"	11/16"
	38MSF	38	.974"	.988"	1.16"	1/4"	11/16"
	40MSF	40	1.026"	1.040"	1.22"	1/4"	11/16"
	42MSF	42	1.078"	1.092"	1.27"	1/4"	11/16"
	44MSF	44	1.130"	1.144"	1.32"	1/4"	11/16"
	46MSF	46	1.182"	1.196"	1.37"	1/4"	11/16"
	48MSF	48	1.234"	1.248"	1.43"	1/4"	11/16"
	50MSF	50	1.286"	1.300"	1.48"	1/4"	11/16"
	51MSF	51	1.312"	1.326"	1.50"	1/4"	11/16"
54MSF	54	1.390"	1.404"	1.58"	1/4"	11/16"	
60MSF	60	1.546"	1.560"	1.73"	1/4"	11/16"	
70MSF	70	1.806"	1.820"	2.00"	1/4"	11/16"	
72MSF	72	1.858"	1.872"	2.04"	5/16"	11/16"	
75MSF	75	1.936"	1.950"	2.13"	5/16"	11/16"	
80MSF	80	2.066"	2.080"	2.26"	5/16"	11/16"	
84MSF	84	2.170"	2.184"	2.36"	5/16"	11/16"	
90MSF	90	2.326"	2.340"	2.52"	5/16"	11/16"	
96MSF	96	2.482"	2.496"	2.67"	5/16"	11/16"	
97MSF	97	2.508"	2.522"	2.71"	5/16"	11/16"	
98MSF	98	2.534"	2.548"	2.72"	5/16"	11/16"	
99MSF	99	2.560"	2.574"	2.77"	5/16"	11/16"	
100MSF	100	2.586"	2.600"	2.78"	5/16"	11/16"	
102MSF	102	2.638"	2.652"	2.83"	5/16"	11/16"	
110MSF	110	2.846"	2.860"	3.04"	5/16"	11/16"	
120MSF	120	3.106"	3.120"	3.37"	5/16"	11/16"	

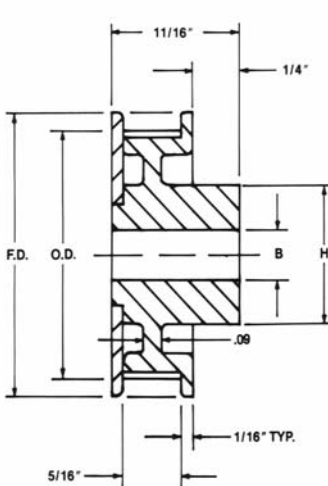


Bore Tolerance: +.001 / -.002
Material: Grey Delrin

Plastock®

11 Danco Road, Putnam CT 06260 To Order Call 1-800-752-7865

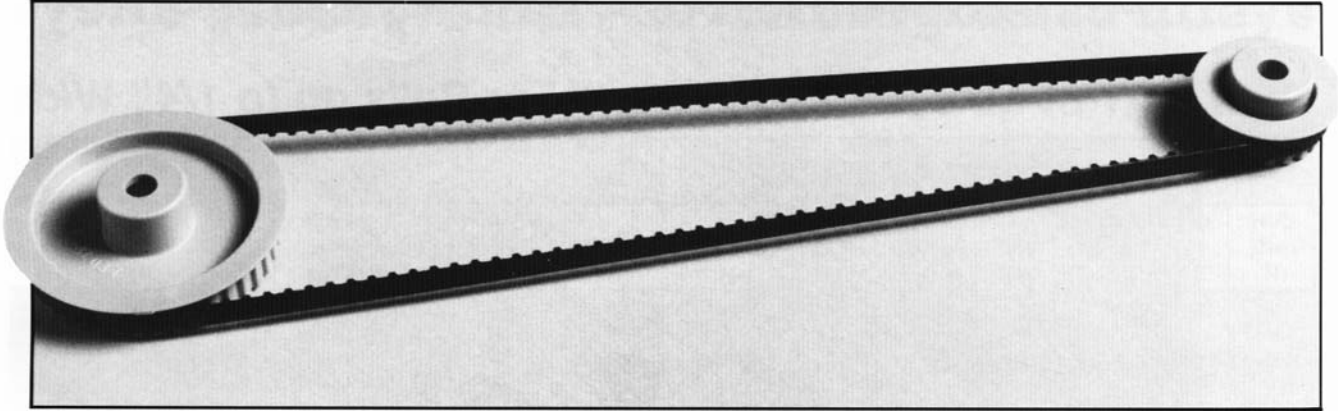
**.0816" Pitch (40 DP) Timing Belt Pulleys
For Belts up to 1/4" Wide**

	Part Number	# of Teeth	Pulley (OD)	Pulley Pitch Dia.	Flange (FD)	Stock Bore (B)	Hub Dia. (H)
<p align="center">Double Flange</p>  <p>Bore Tolerance: +.001 / -.002 Material: Grey Delrin</p>	10MDF	10	.246"	.260"	.43"	3/32"	7/16"
	11MDF	11	.272"	.286"	.46"	3/32"	7/16"
	12MDF	12	.298"	.312"	.49"	3/32"	7/16"
	14MDF	14	.350"	.364"	.54"	1/8"	7/16"
	15MDF	15	.376"	.390"	.57"	1/8"	7/16"
	18MDF	18	.454"	.468"	.65"	3/16"	1/2"
	19MDF	19	.480"	.494"	.68"	3/16"	1/2"
	20MDF	20	.506"	.520"	.70"	3/16"	1/2"
	21MDF	21	.531"	.546"	.74"	3/16"	1/2"
	24MDF	24	.610"	.624"	.80"	3/16"	1/2"
	25MDF	25	.636"	.650"	.84"	1/4"	1/2"
	28MDF	28	.714"	.728"	.91"	1/4"	1/2"
	30MDF	30	.766"	.780"	.96"	1/4"	1/2"
	32MDF	32	.818"	.832"	1.01"	1/4"	1/2"
	34MDF	34	.870"	.884"	1.06"	1/4"	11/16"
	36MDF	36	.922"	.936"	1.11"	1/4"	11/16"
	38MDF	38	.974"	.988"	1.16"	1/4"	11/16"
	40MDF	40	1.026"	1.040"	1.22"	1/4"	11/16"
	42MDF	42	1.078"	1.092"	1.27"	1/4"	11/16"
	44MDF	44	1.130"	1.144"	1.32"	1/4"	11/16"
	46MDF	46	1.182"	1.196"	1.37"	1/4"	11/16"
	48MDF	48	1.234"	1.248"	1.43"	1/4"	11/16"
	50MDF	50	1.286"	1.300"	1.48"	1/4"	11/16"
	51MDF	51	1.312"	1.326"	1.50"	1/4"	11/16"
	54MDF	54	1.390"	1.404"	1.58"	1/4"	11/16"
	60MDF	60	1.546"	1.560"	1.73"	1/4"	11/16"
	70MDF	70	1.806"	1.820"	2.00"	1/4"	11/16"
	72MDF	72	1.858"	1.872"	2.04"	5/16"	11/16"
	75MDF	75	1.936"	1.950"	2.13"	5/16"	11/16"
	80MDF	80	2.066"	2.080"	2.26"	5/16"	11/16"
84MDF	84	2.170"	2.184"	2.36"	5/16"	11/16"	
90MDF	90	2.326"	2.340"	2.52"	5/16"	11/16"	
96MDF	96	2.482"	2.496"	2.67"	5/16"	11/16"	
97MDF	97	2.508"	2.522"	2.71"	5/16"	11/16"	
98MDF	98	2.534"	2.548"	2.72"	5/16"	11/16"	
99MDF	99	2.560"	2.574"	2.77"	5/16"	11/16"	
100MDF	100	2.586"	2.600"	2.78"	5/16"	11/16"	
102MDF	102	2.638"	2.652"	2.83"	5/16"	11/16"	
110MDF	110	2.846"	2.860"	3.04"	5/16"	11/16"	
120MDF	120	3.106"	3.120"	3.37"	5/16"	11/16"	

Plastock®

11 Danco Road, Putnam CT 06260 To Order Call 1-800-752-7865

1/5" Pitch (XL) Timing Belt Pulleys



Made of Lexan in 36 Sizes

Never before have such a complete standard line of plastic pulleys been offered to industry. Bore tolerance is held within .001" and Concentricity within .007 TIR (Total Indicated Reading). Plastock manufactures a complete range of 36 standard pulley sizes from 10XL037 thru 78XL037.

Tolerance Chart			
Size	Pulley Diameter	Eccentricity Bore to OD (TIR) Total Indicated Reading	Wobble Perpendicularity (Face to Bore)
10-28 T	+ .003" - .001"	.004"	.004"
29-48 T	+ .004" - .001"	.005"	.006"
58-78 T	+ .005" - .001"	.007"	.008"
Bore +.001/ -.000			

Features...

- Greater Precision than conventional plastic materials such as Nylon or Acetal.
- Lightweight pulleys are about one half the weight of aluminum pulleys.
- Long belt life achieved due to low coefficient of friction of plastic.
- No Lubrication Required
- Positive Slip-Proof Engagement of belt and pulley assured with high mechanical efficiency and minimum backlash.
- Non-Corrosive and Non-Conductive.
- Conforms to all Specifications of the Major Timing Belt Manufacturers.

Made of Delrin in 19 Sizes

Features:

- **Operation:** Positive slip proof engagement of belt and pulley, assured. High mechanical efficiency with minimum backlash.
- **Lightweight:** Pulleys are about one-half the weight of aluminum allowing high speed operation without start and stop problems
- **Lower Cost:** Low cost manufacturing techniques keep costs low without sacrificing quality. Prices substantially lower than conventional metal timing pulleys.

- **Long Belt Life:** Low coefficient of friction of Delrin adds life to belts. Precision molding assures quiet operation and minimum wear at high speeds. No lubrication is required. Wide speed ranges can be achieved.

The demand for economical plastic timing belt pulleys have been so great that PPM now has 19 various sizes of pulleys in both single and double flange.

Plastock®

11 Danco Road, Putnam CT 06260 To Order Call 1-800-752-7865

1/5" Pitch (XL) Timing Belt Pulleys For Belts up to 3/8" Wide

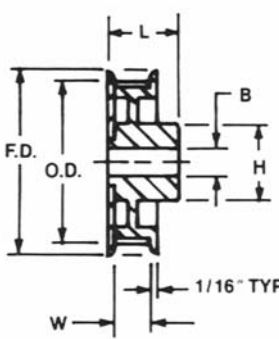
	Part No.	# Teeth	Pulley (OD)	Pulley Pitch Dia.	Flange (FD)	Stock Bore (B)	W	L	H
	10XL037SF	10	.617"	.637"	.87"	3/16"	7/16"	13/16"	11/16"
	11XL037SF	11	.680"	.700"	.93"	3/16"	7/16"	13/16"	11/16"
	12XL037SF	12	.744"	.764"	.99"	3/16"	7/16"	13/16"	11/16"
	13XL037SF	13	.808"	.828"	1.06"	3/16"	7/16"	13/16"	11/16"
	14XL037SF	14	.871"	.891"	1.12"	1/4"	7/16"	13/16"	3/4"
	15XL037SF	15	.935"	.955"	1.19"	1/4"	7/16"	13/16"	3/4"
	16XL037SF	16	.999"	1.019"	1.24"	1/4"	7/16"	13/16"	3/4"
	17XL037SF	17	1.062"	1.082"	1.31"	1/4"	7/16"	13/16"	3/4"
	18XL037SF	18	1.126"	1.146"	1.38"	1/4"	7/16"	13/16"	3/4"
	19XL037SF	19	1.190"	1.210"	1.44"	1/4"	7/16"	13/16"	3/4"
	20XL037SF	20	1.253"	1.273"	1.51"	1/4"	7/16"	13/16"	7/8"
	21XL037SF	21	1.317"	1.337"	1.57"	1/4"	7/16"	13/16"	7/8"
	22XL037SF	22	1.381"	1.401"	1.63"	1/4"	7/16"	13/16"	7/8"
	23XL037SF	23	1.444"	1.464"	1.69"	1/4"	7/16"	13/16"	7/8"
	24XL037SF	24	1.508"	1.528"	1.76"	1/4"	7/16"	13/16"	7/8"
	25XL037SF	25	1.572"	1.592"	1.82"	1/4"	7/16"	13/16"	7/8"
	26XL037SF	26	1.635"	1.655"	1.89"	1/4"	7/16"	13/16"	7/8"
	27XL037SF	27	1.699"	1.719"	1.95"	1/4"	7/16"	13/16"	7/8"
	28XL037SF	28	1.763"	1.783"	2.02"	1/4"	7/16"	13/16"	7/8"
	29XL037SF	29	1.827"	1.846"	2.08"	1/4"	7/16"	13/16"	7/8"
	30XL037SF	30	1.890"	1.910"	2.14"	5/16"	7/16"	13/16"	7/8"
	31XL037SF	31	1.954"	1.973"	2.20"	5/16"	7/16"	13/16"	7/8"
	32XL037SF	32	2.017"	2.037"	2.27"	5/16"	7/16"	13/16"	7/8"
	34XL037SF	34	2.145"	2.165"	2.40"	5/16"	7/16"	13/16"	7/8"
35XL037SF	35	2.209"	2.228"	2.46"	5/16"	7/16"	13/16"	7/8"	
36XL037SF	36	2.272"	2.292"	2.53"	5/16"	7/16"	13/16"	7/8"	
37XL037SF	37	2.336"	2.355"	2.59"	5/16"	7/16"	13/16"	7/8"	
39XL037SF	39	2.462"	2.482"	2.71"	5/16"	7/16"	13/16"	7/8"	
40XL037SF	40	2.526"	2.546"	2.78"	5/16"	7/16"	13/16"	7/8"	
42XL037SF	42	2.654"	2.674"	2.92"	5/16"	7/16"	13/16"	7/8"	
44XL037SF	44	2.781"	2.801"	3.04"	5/16"	7/16"	13/16"	7/8"	
48XL037SF	48	3.036"	3.056"	3.29"	5/16"	7/16"	13/16"	7/8"	
58XL037SF	58	3.672"	3.692"	3.92"	3/8"	7/16"	13/16"	1"	
60XL037NF	60	3.800"	3.820"	None	3/8"	1/2"	7/8"	1"	
72XL037NF	72	4.564"	4.584"	None	3/8"	1/2"	7/8"	1"	
78XL037SF	78	4.946"	4.966"	5.19"	3/8"	1/2"	31/32"	1"	

Material: 10% Glass Filled Polycarbonate
All Flanges 1/16" thick except 78XL which is .085"

Plastock®

11 Danco Road, Putnam CT 06260 To Order Call 1-800-752-7865

1/5" Pitch (XL) Timing Belt Pulleys For Belts up to 3/8" Wide

	Part No.	# Teeth	Pulley (OD)	Pulley Pitch Dia.	Flange (FD)	Stock Bore (B)	W	L	H
Double Flange 	10XL037DF	10	.617"	.637"	.87"	3/16"	7/16"	13/16"	11/16"
	11XL037DF	11	.680"	.700"	.93"	3/16"	7/16"	13/16"	11/16"
	12XL037DF	12	.744"	.764"	.99"	3/16"	7/16"	13/16"	11/16"
	13XL037DF	13	.808"	.828"	1.06"	3/16"	7/16"	13/16"	11/16"
	14XL037DF	14	.871"	.891"	1.12"	1/4"	7/16"	13/16"	3/4"
	15XL037DF	15	.935"	.955"	1.19"	1/4"	7/16"	13/16"	3/4"
	16XL037DF	16	.999"	1.019"	1.24"	1/4"	7/16"	13/16"	3/4"
	17XL037DF	17	1.062"	1.082"	1.31"	1/4"	7/16"	13/16"	3/4"
	18XL037DF	18	1.126"	1.146"	1.38"	1/4"	7/16"	13/16"	3/4"
	19XL037DF	19	1.190"	1.210"	1.44"	1/4"	7/16"	13/16"	3/4"
	20XL037DF	20	1.253"	1.273"	1.51"	1/4"	7/16"	13/16"	7/8"
	21XL037DF	21	1.317"	1.337"	1.57"	1/4"	7/16"	13/16"	7/8"
	22XL037DF	22	1.381"	1.401"	1.63"	1/4"	7/16"	13/16"	7/8"
	23XL037DF	23	1.444"	1.464"	1.69"	1/4"	7/16"	13/16"	7/8"
	24XL037DF	24	1.508"	1.528"	1.76"	1/4"	7/16"	13/16"	7/8"
	25XL037DF	25	1.572"	1.592"	1.82"	1/4"	7/16"	13/16"	7/8"
	26XL037DF	26	1.635"	1.655"	1.89"	1/4"	7/16"	13/16"	7/8"
	27XL037DF	27	1.699"	1.719"	1.95"	1/4"	7/16"	13/16"	7/8"
	28XL037DF	28	1.763"	1.783"	2.02"	1/4"	7/16"	13/16"	7/8"
	29XL037DF	29	1.827"	1.846"	2.08"	1/4"	7/16"	13/16"	7/8"
	30XL037DF	30	1.890"	1.910"	2.14"	5/16"	7/16"	13/16"	7/8"
	31XL037DF	31	1.954"	1.973"	2.20"	5/16"	7/16"	7/8"	7/8"
	32XL037DF	32	2.017"	2.037"	2.27"	5/16"	7/16"	7/8"	7/8"
	34XL037DF	34	2.145"	2.165"	2.40"	5/16"	7/16"	7/8"	7/8"
35XL037DF	35	2.209"	2.228"	2.46"	5/16"	7/16"	7/8"	7/8"	
36XL037DF	36	2.272"	2.292"	2.53"	5/16"	7/16"	7/8"	7/8"	
37XL037DF	37	2.336"	2.355"	2.59"	5/16"	7/16"	7/8"	7/8"	
39XL037DF	39	2.462"	2.482"	2.71"	5/16"	7/16"	7/8"	7/8"	
40XL037DF	40	2.526"	2.546"	2.78"	5/16"	7/16"	7/8"	7/8"	
42XL037DF	42	2.654"	2.674"	2.92"	5/16"	7/16"	7/8"	7/8"	
44XL037DF	44	2.781"	2.801"	3.04"	5/16"	7/16"	7/8"	7/8"	
48XL037DF	48	3.036"	3.056"	3.29"	5/16"	7/16"	7/8"	7/8"	

Material: 10% Glass Filled Polycarbonate

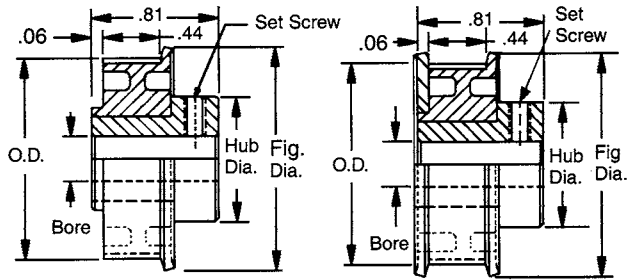
Plastock®

11 Danco Road, Putnam CT 06260 To Order Call 1-800-752-7865

1/5" Pitch (XL) Timing Belt Pulleys

For Belts up to 3/8" Wide

O.D. Tolerance	
# Teeth	± Tol.
10-28	+0.003 -0.001
29-58	+0.004 -0.001



31 - 48 tooth - overall length 7/8"

Single Flange

Double Flange

Single Flange	Double Flange	# of Teeth	P.D.	O.D.	Flange Dia.	Bore +.001 -.000	Hub Dia.	Set Screw
10XL037SFAH1S	10XL037DFAH1S	10	.637"	.617"	.87"	.187"	.69"	6-32
11XL037SFAH1S	11XL037DFAH1S	11	.700"	.680"	.93"	.187"	.69"	6-32
12XL037SFAH1S	12XL037DFAH1S	12	.764"	.744"	.99"	.187"	.69"	6-32
13XL037SFAH1S	13XL037DFAH1S	13	.828"	.808"	1.06"	.187"	.69"	6-32
14XL037SFAH1S	14XL037DFAH1S	14	.891"	.871"	1.12"	.250"	.75"	8-32
15XL037SFAH1S	15XL037DFAH1S	15	.955"	.935"	1.19"	.250"	.75"	8-32
16XL037SFAH1S	16XL037DFAH1S	16	1.019"	.999"	1.24"	.250"	.75"	8-32
17XL037SFAH1S	17XL037DFAH1S	17	1.082"	1.062"	1.31"	.250"	.75"	8-32
18XL037SFAH1S	18XL037DFAH1S	18	1.146"	1.126"	1.39"	.250"	.75"	8-32
19XL037SFAH1S	19XL037DFAH1S	19	1.210"	1.190"	1.44"	.250"	.75"	8-32
20XL037SFAH1S	20XL037DFAH1S	20	1.273"	1.253"	1.51"	.250"	.88"	8-32
21XL037SFAH1S	21XL037DFAH1S	21	1.337"	1.317"	1.57"	.250"	.88"	8-32
22XL037SFAH1S	22XL037DFAH1S	22	1.401"	1.381"	1.63"	.250"	.88"	8-32
23XL037SFAH1S	23XL037DFAH1S	23	1.464"	1.444"	1.69"	.250"	.88"	8-32
24XL037SFAH1S	24XL037DFAH1S	24	1.528"	1.508"	1.76"	.250"	.88"	8-32
25XL037SFAH1S	25XL037DFAH1S	25	1.592"	1.572"	1.82"	.250"	.88"	8-32
26XL037SFAH1S	26XL037DFAH1S	26	1.655"	1.635"	1.89"	.250"	.88"	8-32
27XL037SFAH1S	27XL037DFAH1S	27	1.719"	1.699"	1.95"	.250"	.88"	8-32
28XL037SFAH1S	28XL037DFAH1S	28	1.783"	1.763"	2.02"	.250"	.88"	8-32
29XL037SFAH1S	29XL037DFAH1S	29	1.846"	1.826"	2.08"	.250"	.88"	8-32
30XL037SFAH1S	30XL037DFAH1S	30	1.910"	1.890"	2.14"	.312"	.88"	10-32
31XL037SFAH1S	31XL037DFAH1S	31	1.974"	1.954"	2.20"	.312"	.88"	10-32
32XL037SFAH1S	32XL037DFAH1S	32	2.037"	2.017"	2.27"	.312"	.88"	10-32
34XL037SFAH1S	34XL037DFAH1S	34	2.165"	2.145"	2.40"	.312"	.88"	10-32
35XL037SFAH1S	35XL037DFAH1S	35	2.228"	2.208"	2.46"	.312"	.88"	10-32
36XL037SFAH1S	36XL037DFAH1S	36	2.292"	2.272"	2.53"	.312"	.88"	10-32
37XL037SFAH1S	37XL037DFAH1S	37	2.355"	2.335"	2.59"	.312"	.88"	10-32
39XL037SFAH1S	39XL037DFAH1S	39	2.482"	2.462"	2.71"	.312"	.88"	10-32
40XL037SFAH1S	40XL037DFAH1S	40	2.546"	2.526"	2.78"	.312"	.88"	10-32
42XL037SFAH1S	42XL037DFAH1S	42	2.674"	2.654"	2.92"	.312"	.88"	10-32
44XL037SFAH1S	44XL037DFAH1S	44	2.801"	2.781"	3.04"	.312"	.88"	10-32
48XL037SFAH1S	48XL037DFAH1S	48	3.056"	3.036"	3.29"	.312"	.88"	10-32

Materials: 10% Glass Filled Polycarbonate Hub: Aluminum Color: Black

Standard with (1) set screw - Additional set screws and non-standard bore sizes available upon request.

Plastock®

11 Danco Road, Putnam, CT 06260 To Order Call 1-800-752-7865

1/5" Pitch (XL) Delrin Timing Belt Pulleys

For Belts up to 3/8" Wide

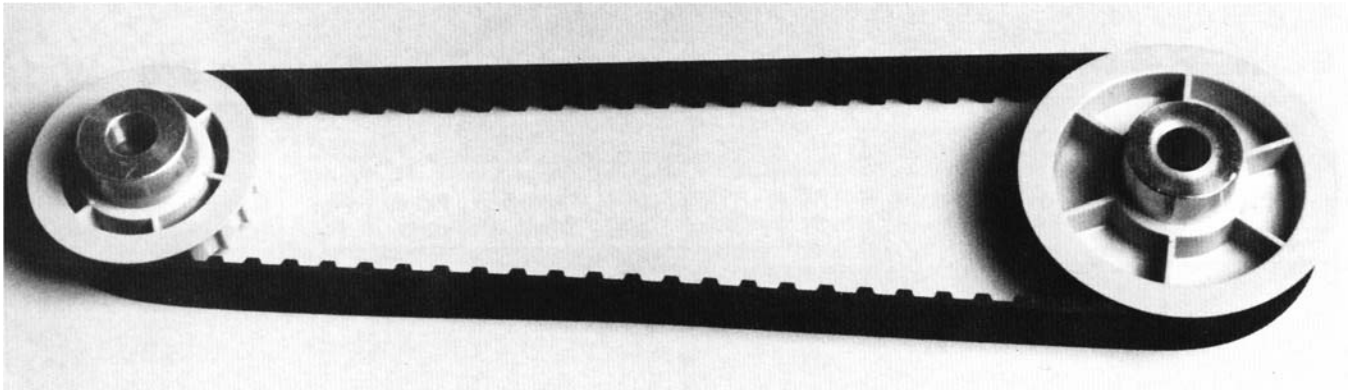
Single Flange on Hub Side Bore Tolerance: +.001/-.002 Material: Grey Delrin	Part No.	# Teeth	Pulley (OD)	Pulley Pitch Dia.	Flange (OD)	Stock Bore (B)	Hub Dia. (H)
	10XLSF	10	.617"	.637"	.87"	3/16"	1/2"
	11XLSF	11	.680"	.700"	.93"	3/16"	1/2"
	12XLSF	12	.744"	.764"	.99"	3/16"	1/2"
	14XLSF	14	.871"	.891"	1.12"	1/4"	1/2"
	15XLSF	15	.935"	.955"	1.19"	1/4"	1/2"
	16XLSF	16	.999"	1.019"	1.25"	1/4"	1/2"
	18XLSF	18	1.126"	1.146"	1.38"	1/4"	5/8"
	20XLSF	20	1.253"	1.273"	1.51"	1/4"	5/8"
	21XLSF	21	1.317"	1.337"	1.57"	1/4"	5/8"
	22XLSF	22	1.381"	1.401"	1.63"	1/4"	5/8"
	24XLSF	24	1.508"	1.528"	1.76"	1/4"	5/8"
	28XLSF	28	1.763"	1.783"	2.02"	1/4"	5/8"
	30XLSF	30	1.890"	1.910"	2.14"	5/16"	11/16"
	32XLSF	32	2.017"	2.037"	2.27"	5/16"	11/16"
	36XLSF	36	2.272"	2.292"	2.53"	5/16"	11/16"
	40XLSF	40	2.526"	2.546"	2.78"	5/16"	11/16"
	42XLSF	42	2.654"	2.674"	2.91"	5/16"	11/16"
	44XLSF	44	2.781"	2.801"	3.04"	5/16"	11/16"
48XLSF	48	3.036"	3.056"	3.29"	5/16"	11/16"	

Double Flange Bore Tolerance: +.001/-.002 Material: Grey Delrin	Part No.	# Teeth	Pulley (OD)	Pulley Pitch Dia.	Flange (OD)	Stock Bore (B)	Hub Dia. (H)
	10XLDF	10	.617"	.637"	.87"	3/16"	1/2"
	11XLDF	11	.680"	.700"	.93"	3/16"	1/2"
	12XLDF	12	.744"	.764"	.99"	3/16"	1/2"
	14XLDF	14	.871"	.891"	1.12"	1/4"	1/2"
	15XLDF	15	.935"	.955"	1.19"	1/4"	1/2"
	16XLDF	16	.999"	1.019"	1.25"	1/4"	1/2"
	18XLDF	18	1.126"	1.146"	1.38"	1/4"	5/8"
	20XLDF	20	1.253"	1.273"	1.51"	1/4"	5/8"
	21XLDF	21	1.317"	1.337"	1.57"	1/4"	5/8"
	22XLDF	22	1.381"	1.401"	1.63"	1/4"	5/8"
	24XLDF	24	1.508"	1.528"	1.76"	1/4"	5/8"
	28XLDF	28	1.763"	1.783"	2.02"	1/4"	5/8"
	30XLDF	30	1.890"	1.910"	2.14"	5/16"	11/16"
	32XLDF	32	2.017"	2.037"	2.27"	5/16"	11/16"
	36XLDF	36	2.272"	2.292"	2.53"	5/16"	11/16"
	40XLDF	40	2.526"	2.546"	2.78"	5/16"	11/16"
	42XLDF	42	2.654"	2.674"	2.91"	5/16"	11/16"
	44XLDF	44	2.781"	2.801"	3.04"	5/16"	11/16"
48XLDF	48	3.036"	3.056"	3.29"	5/16"	11/16"	

Plastock®

11 Danco Road, Putnam CT 06260 To Order Call 1-800-752-7865

3/8" (L) Series Timing Belt Pulleys Made of Lexan with Aluminum Hubs



Tolerance Chart			
Size	Pulley Diameter	Eccentricity Bore to OD (TIR) Total Indicated Reading	Wobble Perpendicularity (Face to Bore)
10-16 T	+.004" -.002"	.004"	.004"
18-24 T	+.005" -.002"	.005"	.006"
36-40 T	+.007" -.003"	.008"	.008"
Bore +.001 -.000			

The 3/8" "L" series of Pulleys offer the designer and engineer a substitute for the more expensive aluminum or metal Pulley. Since the loading of the "L" series Belt drives are greater than the conventional 1/5" (XL), Plastock has incorporated the aluminum insert as a standard in the design of this line of Pulleys. Advantages of this type of drive are as follows:

- Positive, slip proof engagement of belt and pulley
- Long belt life due to low coefficient of friction of plastic
- Conforms to all specifications of the major timing belt manufacturers

HTD Pulleys and Belts

The tooth profile of commonly known synchronous Belts is a trapezoid shape with sides being straight lines, which generate an involute, similar to that of a spur gear tooth.

Unlike the spur gear however, the outside diameter of a timing Pulley is manufactured smaller than its pitch diameter, thus creating an imaginary pitch diameter that is larger than the Pulley itself. Backlash between Pulley and Belt teeth is negligible.

The Plastock line of HTD (High Torque Drives) Belts and Pulleys are offered in 3mm and 5mm pitches. These drives are not necessarily used for high torque applications, but their other superior properties make them an excellent choice for small drives.

- Proportionally deeper tooth, therefore, tooth jumping or loss of relative position is less probable.
- Lighter construction, therefore, smaller centrifugal loss.
- Smaller unit pressure on the tooth since area of contact is larger.
- Greater shear strength due to larger tooth cross section.
- Lower cost since a narrower Belt will handle larger load.
- Energy efficient, particularly if it is replacing a "V" Belt drive which incurs energy losses due to slippage.
- Installation tension is small, therefore, light bearing loads.

Plastock®

11 Danco Road, Putnam CT 06260 To Order Call 1-800-752-7865

3/8" Pitch (L) Lexan Timing Belt Pulleys

For Belts 1/2" and 3/4" Wide

Single Flange on Hub Side

Bore Tolerance: +.001/-.000	Part No.	# Teeth	For Belt Size	Pulley (OD)	Pulley Pitch Dia.	Flange (OD)	Stock Bore (B)	Width (W)	OAL (L)	Hub Dia. (H)
	10L050SF	10	1/2"	1.164"	1.194"	1.44"	3/8"	9/16"	1.21"	7/8"
	10L075SF	10	3/4"	1.164"	1.194"	1.44"	3/8"	13/16"	1.46"	7/8"
	12L050SF	12	1/2"	1.402"	1.432"	1.69"	3/8"	9/16"	1.21"	7/8"
	12L075SF	12	3/4"	1.402"	1.432"	1.69"	3/8"	13/16"	1.46"	7/8"
	16L050SF	16	1/2"	1.880"	1.910"	2.12"	1/2"	9/16"	1.21"	1-1/8"
	16L075SF	16	3/4"	1.880"	1.910"	2.12"	1/2"	13/16"	1.46"	1-1/8"
	18L050SF	18	1/2"	2.119"	2.149"	2.37"	1/2"	9/16"	1.21"	1-1/8"
	18L075SF	18	3/4"	2.119"	2.149"	2.37"	1/2"	13/16"	1.46"	1-1/8"
	20L050SF	20	1/2"	2.357"	2.387"	2.62"	1/2"	9/16"	1.21"	1-1/8"
	20L075SF	20	3/4"	2.357"	2.387"	2.62"	1/2"	13/16"	1.46"	1-1/8"
	24L050SF	24	1/2"	2.835"	2.865"	3.12"	1/2"	9/16"	1.21"	1-1/8"
	24L075SF	24	3/4"	2.835"	2.865"	3.12"	1/2"	13/16"	1.46"	1-1/8"
	36L050SF	36	1/2"	4.267"	4.297"	4.53"	1/2"	9/16"	1.21"	1-1/8"
	36L075SF	36	3/4"	4.267"	4.297"	4.53"	1/2"	13/16"	1.46"	1-1/8"
	40L050SF	40	1/2"	4.745"	4.775"	5.00"	1/2"	9/16"	1.21"	1-1/8"
	40L075SF	40	3/4"	4.745"	4.775"	5.00"	1/2"	13/16"	1.46"	1-1/8"

Double Flange

Bore Tolerance: +.001/-.000	Part No.	# Teeth	For Belt Size	Pulley (OD)	Pulley Pitch Dia.	Flange (OD)	Stock Bore (B)	Width (W)	OAL (L)	Hub Dia. (H)
	10L050DF	10	1/2"	1.164"	1.194"	1.44"	3/8"	9/16"	1.21"	7/8"
	10L075DF	10	3/4"	1.164"	1.194"	1.44"	3/8"	13/16"	1.46"	7/8"
	12L050DF	12	1/2"	1.402"	1.432"	1.69"	3/8"	9/16"	1.21"	7/8"
	12L075DF	12	3/4"	1.402"	1.432"	1.69"	3/8"	13/16"	1.46"	7/8"
	16L050DF	16	1/2"	1.880"	1.910"	2.12"	1/2"	9/16"	1.21"	1-1/8"
	16L075DF	16	3/4"	1.880"	1.910"	2.12"	1/2"	13/16"	1.46"	1-1/8"
	18L050DF	18	1/2"	2.119"	2.149"	2.37"	1/2"	9/16"	1.21"	1-1/8"
	18L075DF	18	3/4"	2.119"	2.149"	2.37"	1/2"	13/16"	1.46"	1-1/8"
	20L050DF	20	1/2"	2.357"	2.387"	2.62"	1/2"	9/16"	1.21"	1-1/8"
	20L075DF	20	3/4"	2.357"	2.387"	2.62"	1/2"	13/16"	1.46"	1-1/8"
	24L050DF	24	1/2"	2.835"	2.865"	3.12"	1/2"	9/16"	1.21"	1-1/8"
	24L075DF	24	3/4"	2.835"	2.865"	3.12"	1/2"	13/16"	1.46"	1-1/8"
	36L050DF	36	1/2"	4.267"	4.297"	4.53"	1/2"	9/16"	1.21"	1-1/8"
	36L075DF	36	3/4"	4.267"	4.297"	4.53"	1/2"	13/16"	1.46"	1-1/8"
	40L050DF	40	1/2"	4.745"	4.775"	5.00"	1/2"	9/16"	1.21"	1-1/8"
	40L075DF	40	3/4"	4.745"	4.775"	5.00"	1/2"	13/16"	1.46"	1-1/8"

Material: Lexan with Aluminum Hubs

Plastock®

11 Danco Road, Putnam CT 06260 To Order Call 1-800-752-7865

3mm Pitch HTD Metric Lexan Timing Belt Pulleys

For Belts up to 9mm Wide

Single Flange on Hub Side All dimensions are in millimeters	Part No.	# Teeth	Pulley (OD)	Pulley Pitch Dia.	Flange (OD)	Stock Bore (B)	Hub Dia. (H)	Fig. #
	17HTD3SF	17	15.4	16.2	22	4	17	1
	18HTD3SF	18	16.4	17.2	24	4	17	1
	19HTD3SF	19	17.4	18.2	24	4	17	1
	20HTD3SF	20	18.3	19.1	24	4	17	1
	22HTD3SF	22	20.2	21.0	27	4	17	1
	25HTD3SF	25	23.1	23.9	30	6	19	1
	28HTD3SF	28	26.0	26.8	32	6	19	1
	32HTD3SF	32	29.8	30.6	32	6	19	1
	36HTD3SF	36	33.6	34.4	40	6	22	1
	40HTD3SF	40	37.4	38.2	45	6	22	1
	48HTD3SF	48	45.0	45.8	51	6	22	1
	60HTD3SF	60	56.5	57.3	63	8	22	2
	72HTD3SF	72	68.0	68.8	74	8	22	2
	80HTD3SF	80	75.6	76.4	84	8	22	2

Double Flange All Dimensions are in millimeters	Part No.	# Teeth	Pulley (OD)	Pulley Pitch Dia.	Flange (OD)	Stock Bore (B)	Hub Dia. (H)	Fig. #
	17HTD3DF	17	15.4	16.2	22	4	17	1
	18HTD3DF	18	16.4	17.2	24	4	17	1
	19HTD3DF	19	17.4	18.2	24	4	17	1
	20HTD3DF	20	18.3	19.1	24	4	17	1
	22HTD3DF	22	20.2	21.0	27	4	17	1
	25HTD3DF	25	23.1	23.9	30	6	19	1
	28HTD3DF	28	26.0	26.8	32	6	19	1
	32HTD3DF	32	29.8	30.6	32	6	19	1
	36HTD3DF	36	33.6	34.4	40	6	22	1
	40HTD3DF	40	37.4	38.2	45	6	22	1
	48HTD3DF	48	45.0	45.8	51	6	22	1
	60HTD3DF	60	56.5	57.3	63	8	22	2
	72HTD3DF	72	68.0	68.8	74	8	22	2
	80HTD3DF	80	75.6	76.4	84	8	22	2

Material: Lexan

Note: Pulleys under 32 teeth do not have webs.

Diameter		Bore Tolerance
Over	To	
0	3	.000, +.025
3	6	.000, +.030
6	10	.000, +.036
10	18	.000, +.043

Plastock®

11 Danco Road, Putnam CT 06260 To Order Call 1-800-752-7865

5mm Pitch HTD Metric Lexan Timing Belt Pulleys

For Belts up to 9mm Wide

Single Flange on Hub Side All Dimensions are in millimeters	Part No.	# Teeth	Pulley (OD)	Pulley Pitch Dia.	Flange (OD)	Stock Bore (B)	Hub Dia. (H)	Fig. #
	11HTD5SF	11	16.4	17.5	22	4	17	1
	12HTD5SF	12	18.0	19.1	24	4	17	1
	13HTD5SF	13	19.6	20.7	25	4	17	1
	14HTD5SF	14	21.1	22.2	27	4	17	1
	15HTD5SF	15	22.7	23.8	30	6	19	1
	16HTD5SF	16	24.3	25.4	30	6	19	1
	17HTD5SF	17	25.9	27.0	32	6	19	1
	18HTD5SF	18	27.5	28.6	33	6	19	1
	19HTD5SF	19	29.1	30.2	35	6	19	1
	20HTD5SF	20	30.7	31.8	37	6	19	1
	22HTD5SF	22	33.9	35.0	40	6	22	1
	25HTD5SF	25	38.7	39.8	45	6	22	1
	28HTD5SF	28	43.4	44.5	50	6	22	1
	29HTD5SF	29	45.0	46.1	51	6	22	1
	30HTD5SF	30	46.6	47.7	53	6	22	1
	40HTD5SF	40	62.5	63.6	69	8	22	2
50HTD5SF	50	78.4	79.5	84	8	22	2	

Material: Lexan

Double Flange All dimensions are in millimeters	Part No.	# Teeth	Pulley (OD)	Pulley Pitch Dia.	Flange (OD)	Stock Bore (B)	Hub Dia. (H)	Fig. #
	11HTD5DF	11	16.4	17.5	22	4	17	1
	12HTD5DF	12	18.0	19.1	24	4	17	1
	13HTD5DF	13	19.6	20.7	25	4	17	1
	14HTD5DF	14	21.1	22.2	27	4	17	1
	15HTD5DF	15	22.7	23.8	30	6	19	1
	16HTD5DF	16	24.3	25.4	30	6	19	1
	17HTD5DF	17	25.9	27.0	32	6	19	1
	18HTD5DF	18	27.5	28.6	33	6	19	1
	19HTD5DF	19	29.1	30.2	35	6	19	1
	20HTD5DF	20	30.7	31.8	37	6	19	1
	22HTD5DF	22	33.9	35.0	40	6	22	1
	25HTD5DF	25	38.7	39.8	45	6	22	1
	28HTD5DF	28	43.4	44.5	50	6	22	1
	29HTD5DF	29	45.0	46.1	51	6	22	1
	30HTD5DF	30	46.6	47.7	53	6	22	1
	40HTD5DF	40	62.5	63.6	69	8	22	2
50HTD5DF	50	78.4	79.5	84	8	22	2	

Material: Lexan

Note: Pulleys under 32 teeth do not have webs

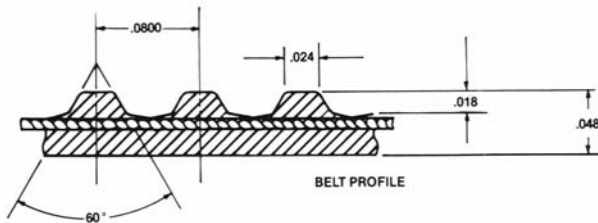
Diameter		Bore Tolerance
Over	To	
0	3	.000, +.025
3	6	.000, +.030
6	10	.000, +.036
10	18	.000, +.043

Plastock®

11 Danco Road, Putnam CT 06260 To Order Call 1-800-752-7865

.0800" (MXL) Pitch Polyurethane Timing Belts
Belt Width 1/8"

Specifications	Part No. Number of Teeth	Pitch Length Inches	Part No. Number of Teeth	Pitch Length Inches
Material-Teeth and Body: Urethane Hardness Shore "A" 80-85	30T0800012	2.400	160T0800012	12.800
	35T0800012	2.800	165T0800012	13.200
	40T0800012	3.200	170T0800012	13.600
	45T0800012	3.600	175T0800012	14.000
	48T0800012	3.840	180T0800012	14.400
	50T0800012	4.000	184T0800012	14.720
	55T0800012	4.400	185T0800012	14.800
	60T0800012	4.800	190T0800012	15.200
	65T0800012	5.200	195T0800012	15.600
	70T0800012	5.600	200T0800012	16.000
	71T0800012	5.680	205T0800012	16.400
	75T0800012	6.000	210T0800012	16.800
	78T0800012	6.240	212T0800012	16.960
	80T0800012	6.400	215T0800012	17.200
	85T0800012	6.800	220T0800012	17.600
	87T0800012	6.960	225T0800012	18.000
	88T0800012	7.040	230T0800012	18.400
	90T0800012	7.200	235T0800012	18.800
	95T0800012	7.600	240T0800012	19.200
	97T0800012	7.760	245T0800012	19.600
100T0800012	8.000	249T0800012	19.920	
102T0800012	8.160	250T0800012	20.000	
103T0800012	8.240	255T0800012	20.400	
105T0800012	8.400	260T0800012	20.800	
106T0800012	8.480	265T0800012	21.200	
110T0800012	8.800	270T0800012	21.600	
112T0800012	8.960	275T0800012	22.000	
114T0800012	9.120	280T0800012	22.400	
115T0800012	9.200	285T0800012	22.800	
118T0800012	9.440	290T0800012	23.200	
120T0800012	9.600	295T0800012	23.600	
122T0800012	9.760	300T0800012	24.000	
123T0800012	9.840	310T0800012	24.800	
125T0800012	10.000	315T0800012	25.200	
126T0800012	10.080	320T0800012	25.600	
130T0800012	10.400	330T0800012	26.400	
132T0800012	10.560	340T0800012	27.200	
135T0800012	10.800	350T0800012	28.000	
140T0800012	11.200	360T0800012	28.800	
144T0800012	11.520	370T0800012	29.600	
145T0800012	11.600	380T0800012	30.400	
150T0800012	12.000	390T0800012	31.200	
155T0800012	12.400	400T0800012	32.000	



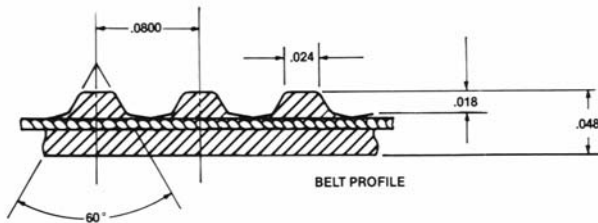
Other widths available upon request

Plastock®

11 Danco Road, Putnam CT 06260 To Order Call 1-800-752-7865

**.0800" (MXL) Pitch Polyurethane Timing Belts
Belt Width 1/4"**

Specifications	Part No. Number of Teeth	Pitch Length Inches	Part No. Number of Teeth	Pitch Length Inches
Material-Teeth and Body: Urethane Hardness Shore "A" 80-85	30T0800025	2.400	160T0800025	12.800
	35T0800025	2.800	165T0800025	13.200
	40T0800025	3.200	170T0800025	13.600
	45T0800025	3.600	175T0800025	14.000
	48T0800025	3.840	180T0800025	14.400
	50T0800025	4.000	184T0800025	14.720
	55T0800025	4.400	185T0800025	14.800
	60T0800025	4.800	190T0800025	15.200
	65T0800025	5.200	195T0800025	15.600
	70T0800025	5.600	200T0800025	16.000
	71T0800025	5.680	205T0800025	16.400
	75T0800025	6.000	210T0800025	16.800
	78T0800025	6.240	212T0800025	16.960
	80T0800025	6.400	215T0800025	17.200
	85T0800025	6.800	220T0800025	17.600
	87T0800025	6.960	225T0800025	18.000
	88T0800025	7.040	230T0800025	18.400
	90T0800025	7.200	235T0800025	18.800
	95T0800025	7.600	240T0800025	19.200
	97T0800025	7.760	245T0800025	19.600
100T0800025	8.000	249T0800025	19.920	
102T0800025	8.160	250T0800025	20.000	
103T0800025	8.240	255T0800025	20.400	
105T0800025	8.400	260T0800025	20.800	
106T0800025	8.480	265T0800025	21.200	
110T0800025	8.800	270T0800025	21.600	
112T0800025	8.960	275T0800025	22.000	
114T0800025	9.120	280T0800025	22.400	
115T0800025	9.200	285T0800025	22.800	
118T0800025	9.440	290T0800025	23.200	
120T0800025	9.600	295T0800025	23.600	
122T0800025	9.760	300T0800025	24.000	
123T0800025	9.840	310T0800025	24.800	
125T0800025	10.000	315T0800025	25.200	
126T0800025	10.080	320T0800025	25.600	
130T0800025	10.400	330T0800025	26.400	
132T0800025	10.560	340T0800025	27.200	
135T0800025	10.800	350T0800025	28.000	
140T0800025	11.200	360T0800025	28.800	
144T0800025	11.520	370T0800025	29.600	
145T0800025	11.600	380T0800025	30.400	
150T0800025	12.000	390T0800025	31.200	
155T0800025	12.400	400T0800025	32.000	



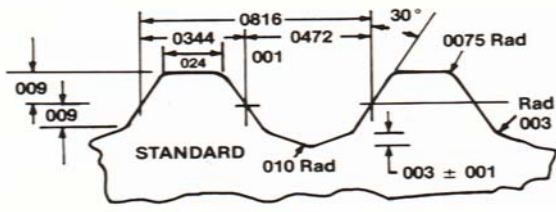
Other widths available upon request

Plastock®

11 Danco Road, Putnam CT 06260 To Order Call 1-800-752-7865

**.0816" (40 DP) Pitch Polyurethane Timing Belts
Belt Width 1/8"**

	Part #	Belt Pitch	Part #	Belt Pitch	Part #	Belt Pitch
	Number of	Length	Number of	Length	Number of	Length
	Teeth	Inches	Teeth	Inches	Teeth	Inches
<p>Belts are precision molded polyurethane elastomer that will not shrink or stretch. Superior flex. Excellent abrasion and ozone resistance. Polyester cord adds extra strength and load carrying capacities to the finished gear belt. Breaking point in an endless form 1" wide belt is 400 lbs.; 100 lbs. for a 1/4" wide belt. Safe in operating temperatures from minus 40° to plus 150° F. Low coefficient of friction maintains constant pulley gear contact. Also available are special belts, which will withstand 900 lbs. (1" wide belts).</p> <p>BELT DESCRIPTION</p> <p>1. Material: The belt is molded from polyurethane elastomer. The polyurethane has excellent flex, abrasion and ozone resistance and is unaffected by most oils. The strength or load carrying member is polyester cord. The polyester cord gives high strength and high modulus to the finished gear belt.</p> <p>2. Dimensions: The tooth pitch of the belt is .0816" (distance from tooth to tooth when belt is flat). Example: A belt with 100 teeth has a pitch length of 100 x .0816" or 8.16". The tooth height is approximately .018" and the overall belt thickness is approximately .048".</p> <p>3. Strength: The breaking strength of the gear belt in endless form one inch wide is 400 pounds. For a belt 1/4" wide the strength is 100 pounds.</p> <p align="center">TOLERANCES</p> <p>1. Length: The standard length tolerance is ± .020" on center distance. Thus, drive designs should allow a minimum of ± .020" of center distance adjustment.</p> <p>2. Width: The tolerance on slit width is ± 1/64". Normal minimum slit width is 1/8". From 1/8" to 1" the slit width increments are in 16ths of an inch.</p>	30M012	2.448	116M012	9.466	214M012	17.462
	33M012	2.693	118M012	9.629	215M012	17.544
	35M012	2.856	119M012	9.710	220M012	17.952
	40M012	3.264	120M012	9.792	225M012	18.360
	44M012	3.590	122M012	9.955	230M012	18.768
	45M012	3.672	123M012	10.037	235M012	19.176
	48M012	3.917	125M012	10.200	240M012	19.584
	50M012	4.080	130M012	10.608	245M012	19.992
	51M012	4.162	131M012	10.690	250M012	20.400
	52M012	4.243	132M012	10.771	252M012	20.563
	53M012	4.325	135M012	11.016	255M012	20.808
	55M012	4.488	139M012	11.342	257M012	20.971
	56M012	4.570	140M012	11.424	258M012	21.053
	57M012	4.651	143M012	11.669	260M012	21.216
	58M012	4.733	144M012	11.750	264M012	21.542
	60M012	4.896	145M012	11.832	265M012	21.624
	61M012	4.978	149M012	12.158	270M012	22.032
	64M012	5.222	150M012	12.240	275M012	22.440
	65M012	5.304	151M012	12.322	280M012	22.848
	69M012	5.630	152M012	12.403	281M012	22.929
	70M012	5.712	153M012	12.485	285M012	23.256
	72M012	5.875	154M012	12.566	290M012	23.664
	73M012	5.957	155M012	12.689	295M012	24.072
	75M012	6.120	159M012	12.974	300M012	24.480
	76M012	6.202	160M012	13.056	310M012	25.296
	80M012	6.528	162M012	13.219	320M012	26.112
	81M012	6.610	163M012	13.301	324M012	26.438
	85M012	6.936	165M012	13.464	330M012	26.928
	89M012	7.262	170M012	13.872	340M012	27.744
	90M012	7.344	175M012	14.280	350M012	28.560
94M012	7.670	178M012	14.524	360M012	29.376	
95M012	7.752	180M012	14.688	369M012	30.110	
96M012	7.834	185M012	15.096	370M012	30.192	
97M012	7.915	190M012	15.504	380M012	31.008	
98M012	7.997	192M012	15.667	390M012	31.824	
100M012	8.160	193M012	15.749	392M012	31.987	
102M012	8.323	195M012	15.912	400M012	32.640	
105M012	8.568	200M012	16.320	423M012	34.517	
110M012	8.976	205M012	16.769	436M012	35.578	
115M012	9.384	208M012	16.973	472M012	38.515	
			210M012	17.136		



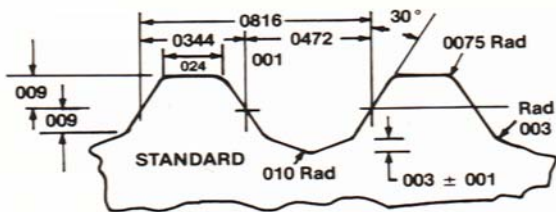
Other widths available upon request

Plastock®

11 Danco Road, Putnam CT 06260 To Order Call 1-800-752-7865

**.0816" (40 DP) Pitch Polyurethane Timing Belts
Belt Width 1/4"**

	Part #	Belt Pitch	Part #	Belt Pitch	Part #	Belt Pitch
	Number of	Length	Number of	Length	Number of	Length
	Teeth	Inches	Teeth	Inches	Teeth	Inches
<p>Belts are precision molded polyurethane elastomer that will not shrink or stretch. Superior flex. Excellent abrasion and ozone resistance. Polyester cord adds extra strength and load carrying capacities to the finished gear belt. Breaking point in an endless form 1" wide belt is 400 lbs.; 100 lbs. for a 1/4" wide belt. Safe in operating temperatures from minus 40° to plus 150° F. Low coefficient of friction maintains constant pulley gear contact. Also available are special belts, which will withstand 900 lbs. (1" wide belts).</p> <p>BELT DESCRIPTION</p> <p>1. Material: The belt is molded from polyurethane elastomer. The polyurethane has excellent flex, abrasion and ozone resistance and is unaffected by most oils. The strength or load carrying member is polyester cord. The polyester cord gives high strength and high modulus to the finished gear belt.</p> <p>2. Dimensions: The tooth pitch of the belt is .0816" (distance from tooth to tooth when belt is flat). Example: A belt with 100 teeth has a pitch length of 100 x .0816" or 8.16". The tooth height is approximately .018" and the overall belt thickness is approximately .048".</p> <p>3. Strength: The breaking strength of the gear belt in endless form one inch wide is 400 pounds. For a belt 1/4" wide the strength is 100 pounds.</p> <p align="center">TOLERANCES</p> <p>1. Length: The standard length tolerance is ± .020" on center distance. Thus, drive designs should allow a minimum of ± .020" of center distance adjustment.</p> <p>2. Width: The tolerance on slit width is ± 1/64". Normal minimum slit width is 1/8". From 1/8" to 1" the slit width increments are in 16ths of an inch.</p>	30M025	2.448	116M025	9.466	214M025	17.462
	33M025	2.693	118M025	9.629	215M025	17.544
	35M025	2.856	119M025	9.710	220M025	17.952
	40M025	3.264	120M025	9.792	225M025	18.360
	44M025	3.590	122M025	9.955	230M025	18.768
	45M025	3.672	123M025	10.037	235M025	19.176
	48M025	3.917	125M025	10.200	240M025	19.584
	50M025	4.080	130M025	10.608	245M025	19.992
	51M025	4.162	131M025	10.690	250M025	20.400
	52M025	4.243	132M025	10.771	252M025	20.563
	53M025	4.325	135M025	11.016	255M025	20.808
	55M025	4.488	139M025	11.342	257M025	20.971
	56M025	4.570	140M025	11.424	258M025	21.053
	57M025	4.651	143M025	11.669	260M025	21.216
	58M025	4.733	144M025	11.750	264M025	21.542
	60M025	4.896	145M025	11.832	265M025	21.624
	61M025	4.978	149M025	12.158	270M025	22.032
	64M025	5.222	150M025	12.240	275M025	22.440
	65M025	5.304	151M025	12.322	280M025	22.848
	69M025	5.630	152M025	12.403	281M025	22.929
	70M025	5.712	153M025	12.485	285M025	23.256
	72M025	5.875	154M025	12.566	290M025	23.664
	73M025	5.957	155M025	12.689	295M025	24.072
	75M025	6.120	159M025	12.974	300M025	24.480
	76M025	6.202	160M025	13.056	310M025	25.296
	80M025	6.528	162M025	13.219	320M025	26.112
	81M025	6.610	163M025	13.301	324M025	26.438
	85M025	6.936	165M025	13.464	330M025	26.928
89M025	7.262	170M025	13.872	340M025	27.744	
90M025	7.344	175M025	14.280	350M025	28.560	
94M025	7.670	178M025	14.524	360M025	29.376	
95M025	7.752	180M025	14.688	369M025	30.110	
96M025	7.834	185M025	15.096	370M025	30.192	
97M025	7.915	190M025	15.504	380M025	31.008	
98M025	7.997	192M025	15.667	390M025	31.824	
100M025	8.160	193M025	15.749	392M025	31.987	
102M025	8.323	195M025	15.912	400M025	32.640	
105M025	8.568	200M025	16.320	423M025	34.517	
110M025	8.976	205M025	16.769	436M025	35.578	
115M025	9.384	208M025	16.973	472M025	38.515	
			210M025	17.136		

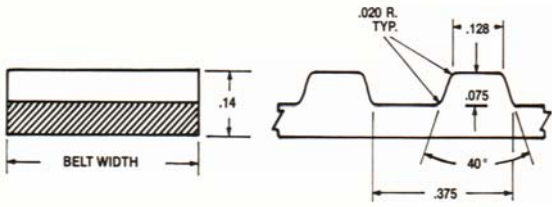


Other widths available upon request

Plastock®

11 Danco Road, Putnam CT 06260 To Order Call 1-800-752-7865

3/8" (L) Pitch Neoprene Timing Belts

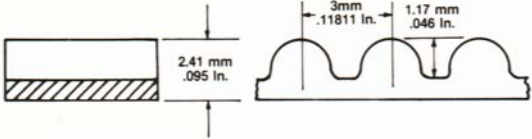
SPECIFICATIONS	Belt width 1/2"			Belt width 3/4"		
	Part # Number of Teeth	# of Teeth	Belt Pitch Length Inches	Part # Number of Teeth	# of Teeth	Belt Pitch Length Inches
<p>Material: Nylon covered fiber Reinforced Neoprene.</p> <p>Temperature Range: 30° to + 185° F</p> 	33L050	33	12.375"	33L075	33	12.375"
	40L050	40	15.000"	40L075	40	15.000"
	50L050	50	18.750"	50L075	50	18.750"
	56L050	56	21.000"	56L075	56	21.000"
	60L050	60	22.500"	60L075	60	22.500"
	64L050	64	24.000"	64L075	64	24.000"
	68L050	68	25.500"	68L075	68	25.500"
	72L050	72	27.000"	72L075	72	27.000"
	76L050	76	28.500"	76L075	76	28.500"
	80L050	80	30.000"	80L075	80	30.000"
	86L050	86	32.250"	86L075	86	32.250"
	92L050	92	34.500"	92L075	92	34.500"
	98L050	98	36.750"	98L075	98	36.750"
	104L050	104	39.000"	104L075	104	39.000"
	112L050	112	42.000"	112L075	112	42.000"
	120L050	120	45.000"	120L075	120	45.000"
	128L050	128	48.000"	128L075	128	48.000"
136L050	136	51.000"	136L075	136	51.000"	
144L050	144	54.000"	144L075	144	54.000"	
160L050	160	60.000"	160L075	160	60.000"	

Other widths available upon request

Plastock®

11 Danco Road, Putnam CT 06260 To Order Call 1-800-752-7865

3mm HTD Pitch Metric Neoprene Timing Belts

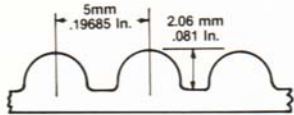
SPECIFICATIONS	Belt width 6mm			Belt width 9mm		
	Part Number	# of Teeth	Belt Pitch Length	Part Number	# of Teeth	Belt Pitch Length
<p>Material: Nylon Covered, Fiberglass Reinforced Neoprene</p> <p>Breaking Strength: 12.4 KGS per mm Belt Width</p> <p>Temperature Range: -18° C to +85° C</p> <p>The jacket size of the 3mm and 5mm Belts is the same as the one used on the 3/8" pitch "L" Belts.</p> <p>The reinforcing cord of the 3mm pitch belts is of the same diameter (.023) and winding density (26/inch) as the cord in the 1/5" pitch "XL" and 3/8" pitch "L" Belts.</p> <p>The reinforcing cord of the 5mm pitch Belts is nearly of the same diameter (.042 vs. .050) as the one used in the 1/2" pitch "H" Belts.</p> <p>The allowable working tension of the 3mm pitch Belt is (60 lbs. /inch) higher than that of the 3/8" pitch Belts (55 lbs./inch).</p> <p>The allowable working tension of the 5mm pitch Belt is (100 lbs. /inch) nearly double that of the 3/8" pitch Belts (55 lbs./inch).</p> 	50HTD36	50	150	50HTD39	50	150
	53HTD36	53	159	53HTD39	53	159
	56HTD36	56	168	56HTD39	56	168
	59HTD36	59	177	59HTD39	59	177
	63HTD36	63	189	63HTD39	63	189
	67HTD36	67	201	67HTD39	67	201
	71HTD36	71	213	71HTD39	71	213
	75HTD36	75	225	75HTD39	75	225
	80HTD36	80	240	80HTD39	80	240
	84HTD36	84	252	84HTD39	84	252
	85HTD36	85	255	85HTD39	85	255
	89HTD36	89	267	89HTD39	89	267
	95HTD36	95	285	95HTD39	95	285
	100HTD36	100	300	100HTD39	100	300
	104HTD36	104	312	104HTD39	104	312
	106HTD36	106	318	106HTD39	106	318
	113HTD36	113	339	113HTD39	113	339
	119HTD36	119	357	119HTD39	119	357
	121HTD36	121	363	121HTD39	121	363
	128HTD36	128	384	128HTD39	128	384
	130HTD36	130	390	130HTD39	130	390
	133HTD36	133	399	133HTD39	133	399
	140HTD36	140	420	140HTD39	140	420
	149HTD36	149	447	149HTD39	149	447
	158HTD36	158	474	158HTD39	158	474
	162HTD36	162	486	162HTD39	162	486
	167HTD36	167	501	167HTD39	167	501
	171HTD36	171	513	171HTD39	171	513
	177HTD36	177	531	177HTD39	177	531
	188HTD36	188	564	188HTD39	188	564
	199HTD36	199	597	199HTD39	199	597
	211HTD36	211	633	211HTD39	211	633
	223HTD36	223	669	223HTD39	223	669
	237HTD36	237	711	237HTD39	237	711
	251HTD36	251	753	251HTD39	251	753
	265HTD36	265	795	265HTD39	265	795
281HTD36	281	873	281HTD39	281	873	
294HTD36	294	882	294HTD39	294	882	
315HTD36	315	945	315HTD39	315	945	
334HTD36	334	1002	334HTD39	334	1002	
354HTD36	354	1062	354HTD39	354	1062	
375HTD36	375	1125	375HTD39	375	1125	
397HTD36	397	1191	397HTD39	397	1191	

Other widths available upon request
 All dimensions above are in millimeters

Plastock®

11 Danco Road, Putnam CT 06260 To Order Call 1-800-752-7865

5mm HTD Pitch Metric Neoprene Timing Belts

SPECIFICATIONS	Belt width 6mm			Belt width 9mm		
	Part Number	# of Teeth	Belt Pitch Length	Part Number	# of Teeth	Belt Pitch Length
Material: Nylon Covered, Fiberglass Reinforced Neoprene	70HTD56	70	350	70HTD59	70	350
	75HTD56	75	375	75HTD59	75	375
Breaking Strength: 26 KGS per mm Belt Width	80HTD56	80	400	80HTD59	80	400
	85HTD56	85	425	85HTD59	85	425
Temperature Range: -18° C to +85° C	90HTD56	90	450	90HTD59	90	450
	95HTD56	95	475	95HTD59	95	475
The jacket size of the 3mm and 5mm Belts is the same as the one used on the 3/8" pitch "L" Belts.	100HTD56	100	500	100HTD59	100	500
	107HTD56	107	535	107HTD59	107	535
The reinforcing cord of the 3mm pitch belts is of the same diameter (.023) and winding density (26/inch) as the cord in the 1/5" pitch "XL" and 3/8" pitch "L" Belts.	113HTD56	113	565	113HTD59	113	565
	120HTD56	120	600	120HTD59	120	600
The reinforcing cord of the 5mm pitch Belts is nearly of the same diameter (.042 vs. .050) as the one used in the 1/2" pitch "H" Belts.	127HTD56	127	635	127HTD59	127	635
	134HTD56	134	670	134HTD59	134	670
The allowable working tension of the 3mm pitch Belt is (60 lbs. /inch) higher than that of the 3/8" pitch Belts (55 lbs./inch).	142HTD56	142	710	142HTD59	142	710
	148HTD56	148	740	148HTD59	148	740
The allowable working tension of the 5mm pitch Belt is (100 lbs. /inch) nearly double that of the 3/8" pitch Belts (55 lbs./inch).	160HTD56	160	800	160HTD59	160	800
	170HTD56	170	850	170HTD59	170	850
Other widths available upon request All dimensions above are millimeters	178HTD56	178	890	178HTD59	178	890
	190HTD56	190	950	190HTD59	190	950
	200HTD56	200	1000	200HTD59	200	1000
	210HTD56	210	1050	210HTD59	210	1050
	225HTD56	225	1125	225HTD59	225	1125
	239HTD56	239	1195	239HTD59	239	1195
	254HTD56	254	1270	254HTD59	254	1270
	284HTD56	284	1420	284HTD59	284	1420
	319HTD56	319	1595	319HTD59	319	1595
	338HTD56	338	1690	338HTD59	338	1690
	358HTD56	358	1790	358HTD59	358	1790
	379HTD56	379	1895	379HTD59	379	1895
	400HTD56	400	2000	400HTD59	400	2000
	450HTD56	450	2250	450HTD59	450	2250
	505HTD56	505	2525	505HTD59	505	2525

Other widths available upon request
All dimensions above are millimeters

Plastock®

11 Danco Road, Putnam CT 06260 To Order Call 1-800-752-7865

Plastic Roller Chain

Plastic chains were developed primarily for low-power transmission applications. The chains can be used with steel sprockets or plastic sprockets, and are suitable for relatively wide speed ranges.

These drive components can be especially useful in harsh chemical, moisture and temperature environments. The chains can incorporate additives for self-lubrication, also useable where cleanliness is important, as in food-processing machinery, computer equipment.

Chains are made with links that snap together so that each link in effect becomes a master link. Various attachments can be used with plastic chains and sprockets. These attachments can be fastened to the chain or sprocket, or molded integrally.

Plastic chains are available as off the shelf items in 1/4-in., 3/8-in. and 1/2-in. pitches. Non-standard sizes and shapes including chain with various types of attachments have been developed for special applications.

Plastic chains and sprockets are generally about one-fifth to one-tenth as heavy as equivalent metal components. They are relatively quiet, and are nonconductive and nonmagnetic.

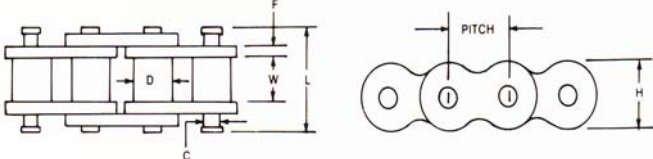
GENERAL CHARACTERISTICS

Horsepower ratings have not been determined for all sizes of plastic chains. However, the chain performance data chart shows the results for breaking strength of the representative chain sizes. Working strength is often figured as 1/3 of the average breaking strength.

Elongation vs. time tests have shown that the major portion of elongation or stretch occurs almost immediately after the load is applied; 90 percent of elongation takes place within the first 15 minutes of operation. Based on total length, subsequent elongation is less than 0.3 percent. When the load is removed, the chain recovers as a function of time and material. In general, maximum recovery is achieved within 30 minutes of load removal.

PRODUCT DESIGN

Plastic chain is produced in three standard pitch sizes, 1/4, 3/8 and 1/2 inch. Key roller and linkage dimensions can be seen below. Specialty pitch designs available.

	Cat.	Dimensions						
	No.	Pitch	W	D	C	F	L	H
	#25	1/4	1/8	.130	.105	.040	.359	.25
	#35	3/8	3/16	.200	.141	.075	.545	.35
	#40	1/2	5/16	.312	.156	.088	.725	.46

Plastock®

11 Danco Road, Putnam CT 06260 To Order Call 1-800-752-7865

Plastic Roller Chain

MATERIAL DATA

In order to meet the range of strength, chemical and heat resistance requirements of the marketplace, Plastock offers chains and sprockets molded from four standard materials: Polypropylene, Delrin (Acetal), Kynar PVDF and Nylatron GS molybdenum disulfide filled nylon. Performance data on the base polymer products described below should be used in the selection of the specific material for the application involved.

	Nylatron GS	Acetal	Polypropylene	Kynar PVDF
Strength:				
Tensile (PSI)	13,700	9,700	4,500	4,500
Compressive (PSI)	12,500	15,600	5,500	8,000
Flexural (PSI)	17,000	13,600	6,000	8,600
Elongation %	15	13	100	8
Water Absorption %				
24 hrs. 1/8" thick	0.8	0.25	0.01	0.05
Heat Deflection Temp. @ 264 PSI, of	183	255	120	183
Resistance: Effect of				
Weak Acids	resistant	resistant	none	very resistant
Strong Acids	attacked	some	attacked slowly by oxidizing acids	very resistant
Weak Alkalies	none	resistant	none	very resistant
Strong Alkalies	resistant	resistant	very resistant	attacked
Organic Solvent	resistant to common solvents	resistant to most	resistant below 80° C	resistant to most

NOTE: All values are typical for material and should only be used as a guide in selecting appropriate material. Application testing is strongly recommended.

CHAIN PERFORMANCE DATA

	#25 Chain				#35 Chain				#40 Chain			
	25D	25PP	25N	25K	35D	35PP	35N	35K	40D	40PP	40N	40K
Tensile Strength @ Break	63	29	65	56	136	66	136	109	175	89	173	141
Elongation % Ultimate	9	11	34	13	6	10	11	8	4	8	9	7
@ 75% Tensile Strength	5	6	14	7	5	5	9	5	3	4	7	4
Elongation Recovery %												
@ Removal of Load	88	72	69	76	88	80	73	84	86	77	73	84
After 10 Minutes	93	91	84	90	95	92	87	94	91	87	87	93
After 30 Minutes	98	95	87	92	95	94	91	94	95	92	88	95

NOTE: Data generated by an independent testing lab. Values should only be used as a guideline. Application testing is strongly recommended.

NOTE: D- Delrin; PP – Polypropylene; N – Nylatron; K - Kynar

Plastock®

11 Danco Road, Putnam CT 06260 To Order Call 1-800-752-7865

Plastic Chain and Sprockets

ADVANTAGES

- **Lightweight:** 15-20% the weight of stainless steel components
- **Lubrication:** Requires no lubrication. Can be formulated to be non conductive, conductive or non magnetic
- **Master Links:** All links on the plastic chain are unit master links since all links snap together and all chains are adjustable to any length desired
- **Interchangeable:** Completely with existing metal chain and sprocket drives. Plastic chain can be used with steel sprockets or Plastic Sprockets
- **Noise:** Noise levels are greatly reduced
- **Chemical Resistance:** Excellent chemical and solvent resistance to corrosive environmental conditions
- **Cleanliness:** Excellent where cleanliness of drive is important
- **Design Capabilities:** Various attachments as side link pins can be incorporated into design at minimal tooling costs
- **Strength:** Function of size and material selection. Consult charts for specific data.

APPLICATIONS:

- Food handling and processing equipment
- Computer and computer peripheral equipment
- Office machines, copy machines, etc.
- Point of motion, advertising displays
- Any equipment requiring transmission of motion at light loads
- Mechanical drives for instrumentation
- Plating and coating operations
- Film processing/development equipment
- Semiconductor processing
- Electrically conductive applications

Tolerances:

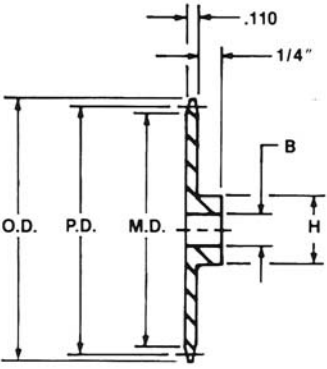
Bore to M.D. or P.D. TIR	Max face to face runout
0 - 1.00" dia. = .008"	0 - 1.00" dia. = .005"
1.00" - 2.00" dia. = .010"	1.00" - 2.00" dia. = .012"
2.00" - 3.00" dia. = .012"	2.00" - 3.00" dia. = .020"
3.00" - 4.00" dia. = .015"	3.00" & up = .030"
4.00" - 5.00" dia. = .020"	
5.00" - & up = .025"	

Plastock®

11 Danco Road, Putnam CT 06260 To Order Call 1-800-752-7865

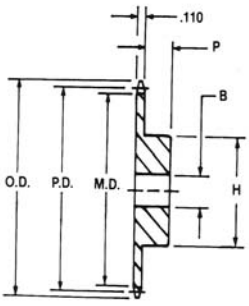
Plastic Type B Hub Sprockets

For #25 - 1/4" Pitch Roller Chain in Delrin

	Part No.	# Teeth	Outside Dia.	Pitch Dia.	Minor Dia.	Stock Bore	Hub Dia.
	10TS	10	.919"	.809"	.679"	1/4"	17/32"
	12TS	12	1.083"	.966"	.836"	1/4"	39/64"
	15TS	15	1.326"	1.203"	1.073"	1/4"	39/64"
	16TS	16	1.407"	1.282"	1.152"	1/4"	39/64"
	17TS	17	1.487"	1.361"	1.231"	1/4"	39/64"
	18TS	18	1.568"	1.440"	1.310"	1/4"	39/64"
	19TS	19	1.648"	1.519"	1.389"	1/4"	39/64"
	20TS	20	1.729"	1.598"	1.468"	1/4"	39/64"
	21TS	21	1.809"	1.677"	1.547"	1/4"	43/64"
	24TS	24	2.049"	1.915"	1.785"	5/16"	39/64"
	25TS	25	2.129"	1.995"	1.865"	5/16"	43/64"
	30TS	30	2.529"	2.392"	2.262"	5/16"	43/64"
	32TS	32	2.688"	2.551"	2.421"	3/8"	43/64"
	36TS	36	3.008"	2.869"	2.739"	3/8"	43/64"
	40TS	40	3.327"	3.187"	3.057"	3/8"	43/64"

Bore Tolerance + .001/- .002

For #25 - 1/4" Pitch Roller Chain in Glass Filled Nyatron GS-51

	Part No.	# Teeth	Outside Dia.	Pitch Dia.	Minor Dia.	Stock Bore	Hub Dia	Hub Proj.
	25B10	10	.919"	.81"	.679"	1/4"	9/16"	3/8"
	25B11	11	1.002"	.89"	.757"	1/4"	9/16"	3/8"
	25B12	12	1.083"	.97"	.836"	5/16"	11/16"	3/8"
	25B13	13	1.167"	1.05"	.915"	5/16"	3/4"	3/8"
	25B14	14	1.246"	1.13"	.993"	5/16"	3/4"	3/8"
	25B15	15	1.326"	1.20"	1.073"	5/16"	3/4"	3/8"
	25B16	16	1.407"	1.28"	1.152"	5/16"	13/16"	3/8"
	25B17	17	1.487"	1.36"	1.231"	5/16"	29/32"	3/8"
	25B18	18	1.568"	1.44"	1.310"	3/8"	1"	3/8"
	25B19	19	1.648"	1.52"	1.389"	3/8"	1-1/16"	3/8"
	25B20	20	1.729"	1.60"	1.468"	3/8"	1-5/32"	3/8"
	25B21	21	1.809"	1.68"	1.547"	3/8"	1-5/32"	3/8"
	25B22	22	1.889"	1.76"	1.627"	3/8"	1-5/32"	3/8"
	25B24	24	2.049"	1.91"	1.785"	3/8"	1-7/32"	3/8"
	25B26	26	2.209"	2.07"	1.944"	3/8"	1-7/32"	3/8"
	25B28	28	2.369"	2.23"	2.103"	3/8"	1-7/32"	3/8"
	25B30	30	2.529"	2.39"	2.262"	3/8"	1-9/32"	3/8"
	25B36	36	3.008"	2.87"	2.739"	1/2"	1-3/8"	1/2"
	25B40	40	3.327"	3.19"	3.057"	1/2"	1-3/8"	1/2"
	25B48	48	3.964"	3.82"	3.693"	1/2"	1-3/8"	1/2"
	25B54	54	4.442"	4.30"	4.200"	1/2"	1-3/8"	1/2"
25B60	60	4.920"	4.78"	4.647"	1/2"	1-3/8"	1/2"	

Bore Tolerance: + .002/ - .000

One or Two set screws are optional.

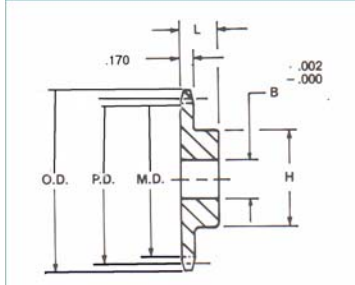
On special order, above sprockets are available in glass filled Polypropylene, Kynar and Glass Filled Delrin

Plastock®

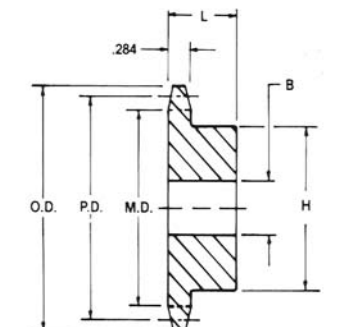
11 Danco Road, Putnam CT 06260 To Order Call 1-800-752-7865

Plastic Type B Hub Sprockets

For #35 - 3/8" Pitch Roller Chain in Glass Filled Nylatron GS-51

	Part No.	# Teeth	Outside Dia.	Pitch Dia.	Hub Dia.	Minor Dia.	Length Thru Bore	Max Bore	Stock Bore
 <p>Bore Tolerance + .002/- .000</p>	35B9	9	1.256"	1.096"	5/8"	.896"	3/4"	3/8"	3/8"
	35B10	10	1.380"	1.214"	13/16"	1.014"	3/4"	7/16"	3/8"
	35B11	11	1.502"	1.331"	7/8"	1.131"	3/4"	1/2"	3/8"
	35B12	12	1.625"	1.449"	1"	1.249"	3/4"	9/16"	1/2"
	35B14	14	1.868"	1.685"	1-1/16"	1.485"	3/4"	3/4"	1/2"
	35B15	15	1.990"	1.804"	1-3/8"	1.604"	3/4"	13/16"	1/2"
	35B16	16	2.111"	1.922"	1-1/2"	1.722"	3/4"	15/16"	1/2"
	35B18	18	2.352"	2.159"	1-1/4"	1.959"	3/4"	1-1/16"	1/2"
	35B20	20	2.593"	2.397"	1-1/2"	2.197"	7/8"	1-3/16"	1/2"
	35B24	24	3.074"	2.873"	2"	2.673"	7/8"	1-3/16"	1/2"
	35B26	26	3.314"	3.111"	2-1/16"	2.911"	7/8"	1-7/16"	1/2"
	35B30	30	3.793"	3.588"	2-1/4"	3.388"	7/8"	1-7/16"	1/2"
	35B35	35	4.392"	4.183"	2-1/4"	3.983"	7/8"	1-7/16"	1/2"
	35B36	36	4.511"	4.303"	2-1/4"	4.103"	7/8"	1-7/16"	5/8"
	35B40	40	4.990"	4.780"	2-1/2"	4.580"	7/8"	1-3/4"	5/8"
	35B45	45	5.588"	5.376"	2-3/4"	5.176"	1"	1-3/4"	5/8"

For #40 - 1/2" Pitch Roller Chain in Glass Filled Nylatron GS-51

	Part No.	# Teeth	Outside Dia.	Pitch Dia.	Hub Dia.	Minor Dia.	Length Thru Bore	Max. Bore	Stock Bore
 <p>Bore Tolerance: + .002/ - .000</p>	40B9	9	1.674"	1.462"	7/8"	1.150"	7/8"	1/2"	1/2"
	40B10	10	1.839"	1.618"	1-1/8"	1.306"	7/8"	19/32"	1/2"
	40B12	12	2.166"	1.932"	1-3/8"	1.620"	7/8"	27/32"	1/2"
	40B15	15	2.652"	2.405"	1-7/8"	2.093"	7/8"	1-3/16"	1/2"
	40B16	16	2.814"	2.563"	1-7/8"	2.251"	7/8"	1-1/4"	5/8"
	40B24	24	4.098"	3.831"	2-1/2"	3.519"	1"	1-3/4"	5/8"
	40B32	32	5.377"	5.101"	2"	4.789"	1"	1-3/4"	3/4"

One or Two set screws are optional.

On special order, above sprockets are available in glass filled Polypropylene, Kynar and Glass Filled Delrin

Note: Rebores and Keyways can be furnished where required.

Plastock®

11 Danco Road, Putnam CT 06260 To Order Call 1-800-752-7865

Gear Terminology

Circular Pitch is the distance between corresponding points on adjacent teeth measured along the pitch circle.

Pitch Diameter is the diameter measured at the pitch circle.

Pressure Angle is the angle made by a line tangent to the gear tooth at the pitch diameter and a line drawn through this point of tangency.

Addendum is the length of the tooth from the pitch line to the outside diameter

Dedendum is the length of the tooth from the pitch line to the base of the tooth.

Face Width is the working surface of the tooth above the pitch line.

Center distance is the distance between the centers of two meshing gears.

Pitch	Circular Pitch	Addendum	Dedendum	Whole Depth
20	.1571	.0500	.0620	.1120
24	.1309	.0417	.0520	.0937
32	.0983	.0313	.0395	.0708
48	.0654	.0208	.0270	.0478

Pressure Angle: Meshing gears must have the same pressure angle as well as the same diametrical pitch.

The 20-degree full depth tooth is recommended for molded gears. It is stronger than the 14-1/2 degree tooth and the wear characteristics of the 20-degree full depth tooth are improved over the 20-degree stub tooth.

Backlash: Gears, like other moving mechanical parts, require operating clearance between the engaging teeth on the pitch circle.

The extending of the center distance of meshing gears usually provides this. This has the advantages of allowing more clearance between the outside diameter of one gear and the base diameter of the mating gear so that the gears can expand at high temperatures without radial interference.

For higher temperature, loads or speeds, additional backlash should be provided to compensate for thermal expansion.

Plastock®

11 Danco Road, Putnam CT 06260 To Order Call 1-800-752-7865

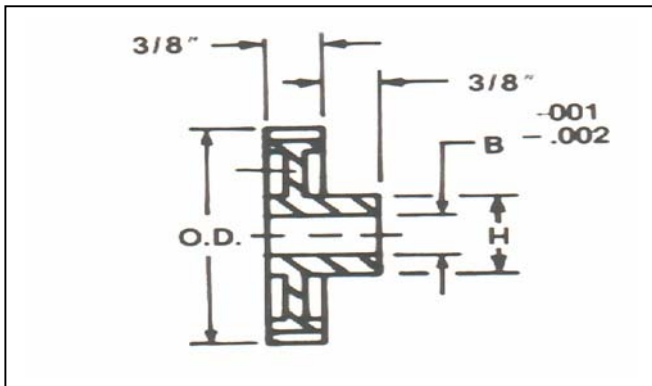
Delrin Spur Gears

20 Pitch - 20° Pressure Angle

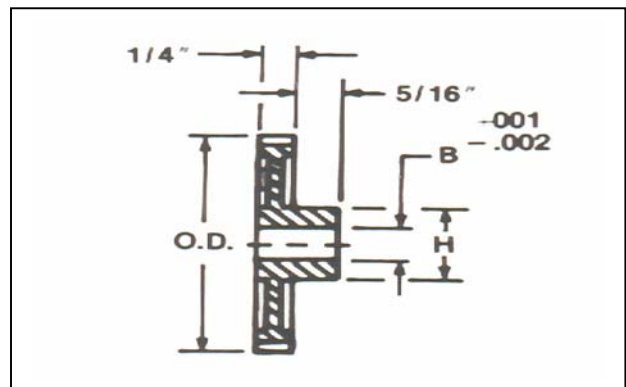
Part No.	# of Teeth	O.D.	P.D.	Bore	Hub Dia
20-12	12	.700"	.600"	1/4"	15/32"
20-13	13	.750"	.650"	1/4"	1/2"
20-14	14	.800"	.700"	5/16"	9/16"
20-15	15	.850"	.750"	5/16"	19/32"
20-16	16	.900"	.800"	5/16"	39/64"
20-17	17	.950"	.850"	5/16"	43/64"
20-18	18	1.000"	.900"	5/16"	43/64"
20-19	19	1.050"	.950"	3/8"	47/64"
20-20	20	1.100"	1.000"	3/8"	47/64"
20-21	21	1.150"	1.050"	3/8"	47/64"
20-22	22	1.200"	1.100"	3/8"	3/4"
20-23	23	1.250"	1.150"	3/8"	47/64"
20-24	24	1.300"	1.200"	3/8"	47/64"
20-25	25	1.350"	1.250"	3/8"	47/64"
20-26	26	1.400"	1.300"	3/8"	47/64"
20-28	28	1.500"	1.400"	3/8"	47/64"
20-30	30	1.600"	1.500"	3/8"	47/64"
20-32	32	1.700"	1.600"	3/8"	47/64"
20-34	34	1.800"	1.700"	3/8"	47/64"
20-35	35	1.850"	1.750"	3/8"	47/64"
20-36	36	1.900"	1.800"	3/8"	47/64"
20-38	38	2.000"	1.900"	3/8"	47/64"
20-40	40	2.100"	2.000"	3/8"	47/64"
20-41	41	2.150"	2.050"	3/8"	47/64"
20-42	42	2.200"	2.100"	3/8"	47/64"
20-44	44	2.300"	2.200"	3/8"	47/64"
20-45	45	2.350"	2.250"	3/8"	47/64"
20-46	46	2.400"	2.300"	3/8"	47/64"
20-48	48	2.500"	2.400"	3/8"	47/64"
20-50	50	2.600"	2.500"	3/8"	3/4"

24 Pitch - 20° Pressure Angle

Part No.	# of Teeth	O.D.	P.D.	Bore	Hub Dia.
24-12	12	.583"	.500"	3/16"	3/8"
24-14	14	.667"	.583"	3/16"	7/16"
24-15	15	.709"	.625"	3/16"	31/64"
24-16	16	.750"	.667"	3/16"	31/64"
24-17	17	.791"	.709"	3/16"	35/64"
24-18	18	.833"	.750"	3/16"	35/64"
24-19	19	.875"	.791"	3/16"	35/64"
24-20	20	.917"	.833"	3/16"	35/64"
24-21	21	.959"	.875"	3/16"	35/64"
24-22	22	1.000"	.917"	3/16"	35/64"
24-23	23	1.041"	.959"	3/16"	35/64"
24-24	24	1.083"	1.000"	1/4"	5/8"
24-25	25	1.125"	1.041"	1/4"	39/64"
24-26	26	1.167"	1.083"	1/4"	5/8"
24-27	27	1.208"	1.125"	1/4"	5/8"
24-28	28	1.250"	1.167"	1/4"	5/8"
24-30	30	1.333"	1.250"	1/4"	5/8"
24-32	32	1.416"	1.333"	1/4"	39/64"
24-33	33	1.458"	1.375"	1/4"	39/64"
24-34	34	1.500"	1.416"	1/4"	39/64"
24-36	36	1.583"	1.500"	1/4"	5/8"
24-39	39	1.708"	1.625"	5/16"	43/64"
24-40	40	1.750"	1.666"	5/16"	43/64"
24-42	42	1.833"	1.750"	5/16"	43/64"
24-44	44	1.917"	1.833"	5/16"	43/64"
24-45	45	1.958"	1.875"	5/16"	43/64"
24-48	48	2.083"	2.000"	5/16"	43/64"
24-50	50	2.166"	2.083"	5/16"	43/64"
24-52	52	2.250"	2.166"	5/16"	43/64"
24-54	54	2.333"	2.250"	5/16"	43/64"
24-56	56	2.416"	2.333"	5/16"	43/64"
24-60	60	2.583"	2.500"	5/16"	43/64"
24-72	72	3.083"	3.000"	5/16"	43/64"



- Bore Tolerance +.001/-0.002 AGMA Quality 5



Delrin Spur Gears

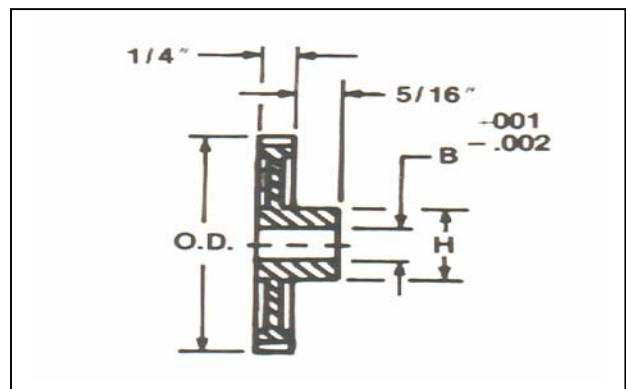
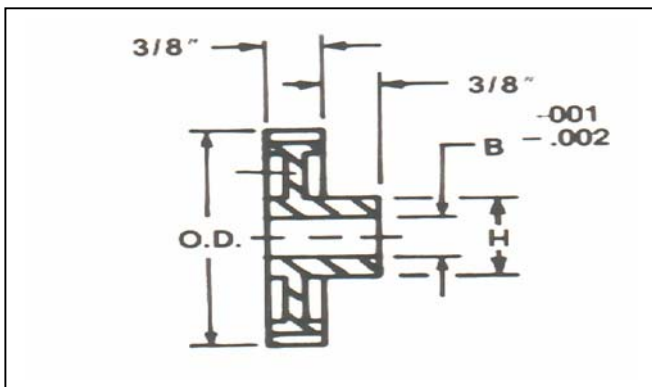
20 Pitch - 20° Pressure Angle

24 Pitch - 20° Pressure Angle

Part No.	# of Teeth	O.D.	P.D.	Bore	Hub Dia
20-12	12	.700"	.600"	1/4"	15/32"
20-13	13	.750"	.650"	1/4"	1/2"
20-14	14	.800"	.700"	5/16"	9/16"
20-15	15	.850"	.750"	5/16"	19/32"
20-16	16	.900"	.800"	5/16"	39/64"
20-17	17	.950"	.850"	5/16"	43/64"
20-18	18	1.000"	.900"	5/16"	43/64"
20-19	19	1.050"	.950"	3/8"	47/64"
20-20	20	1.100"	1.000"	3/8"	47/64"
20-21	21	1.150"	1.050"	3/8"	47/64"
20-22	22	1.200"	1.100"	3/8"	3/4"
20-23	23	1.250"	1.150"	3/8"	47/64"
20-24	24	1.300"	1.200"	3/8"	47/64"
20-25	25	1.350"	1.250"	3/8"	47/64"
20-26	26	1.400"	1.300"	3/8"	47/64"
20-28	28	1.500"	1.400"	3/8"	47/64"
20-30	30	1.600"	1.500"	3/8"	47/64"
20-32	32	1.700"	1.600"	3/8"	47/64"
20-34	34	1.800"	1.700"	3/8"	47/64"
20-35	35	1.850"	1.750"	3/8"	47/64"
20-36	36	1.900"	1.800"	3/8"	47/64"
20-38	38	2.000"	1.900"	3/8"	47/64"
20-40	40	2.100"	2.000"	3/8"	47/64"
20-41	41	2.150"	2.050"	3/8"	47/64"
20-42	42	2.200"	2.100"	3/8"	47/64"
20-44	44	2.300"	2.200"	3/8"	47/64"
20-45	45	2.350"	2.250"	3/8"	47/64"
20-46	46	2.400"	2.300"	3/8"	47/64"
20-48	48	2.500"	2.400"	3/8"	47/64"
20-50	50	2.600"	2.500"	3/8"	3/4"

* Bore Tolerance +.001/-0.002 AGMA Quality 5

Part No.	# of Teeth	O.D.	P.D.	Bore	Hub Dia.
24-12	12	.583"	.500"	3/16"	3/8"
24-14	14	.667"	.583"	3/16"	7/16"
24-15	15	.709"	.625"	3/16"	31/64"
24-16	16	.750"	.667"	3/16"	31/64"
24-17	17	.791"	.709"	3/16"	35/64"
24-18	18	.833"	.750"	3/16"	35/64"
24-19	19	.875"	.791"	3/16"	35/64"
24-20	20	.917"	.833"	3/16"	35/64"
24-21	21	.959"	.875"	3/16"	35/64"
24-22	22	1.000"	.917"	3/16"	35/64"
24-23	23	1.041"	.959"	3/16"	35/64"
24-24	24	1.083"	1.000"	1/4"	5/8"
24-25	25	1.125"	1.041"	1/4"	39/64"
24-26	26	1.167"	1.083"	1/4"	5/8"
24-27	27	1.208"	1.125"	1/4"	5/8"
24-28	28	1.250"	1.167"	1/4"	5/8"
24-30	30	1.333"	1.250"	1/4"	5/8"
24-32	32	1.416"	1.333"	1/4"	39/64"
24-33	33	1.458"	1.375"	1/4"	39/64"
24-34	34	1.500"	1.416"	1/4"	39/64"
24-36	36	1.583"	1.500"	1/4"	5/8"
24-39	39	1.708"	1.625"	5/16"	43/64"
24-40	40	1.750"	1.666"	5/16"	43/64"
24-42	42	1.833"	1.750"	5/16"	43/64"
24-44	44	1.917"	1.833"	5/16"	43/64"
24-45	45	1.958"	1.875"	5/16"	43/64"
24-48	48	2.083"	2.000"	5/16"	43/64"
24-50	50	2.166"	2.083"	5/16"	43/64"
24-52	52	2.250"	2.166"	5/16"	43/64"
24-54	54	2.333"	2.250"	5/16"	43/64"
24-56	56	2.416"	2.333"	5/16"	43/64"
24-60	60	2.583"	2.500"	5/16"	43/64"
24-72	72	3.083"	3.000"	5/16"	43/64"



Plastock®

11 Danco Road, Putnam CT 06260 To Order Call 1-800-752-7865

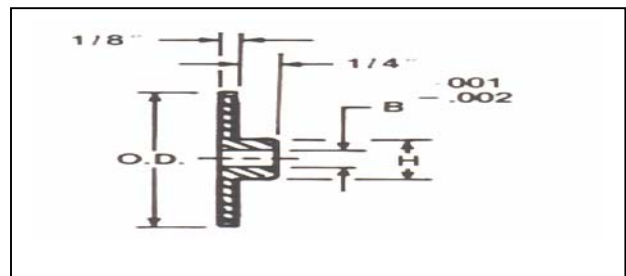
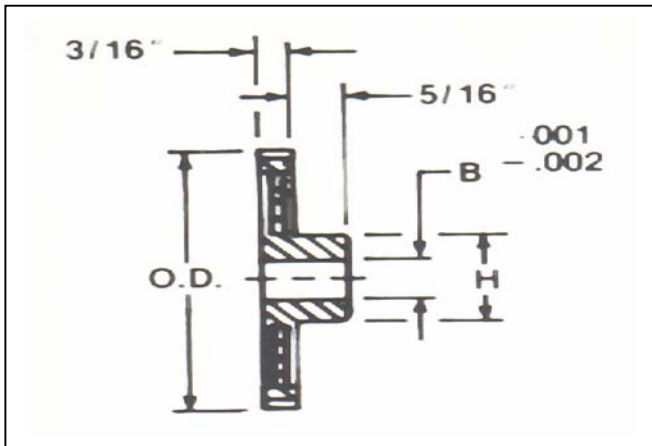
Delrin Spur Gears

32 Pitch - 20° Pressure Angle

Part No.	# of Teeth	O.D.	P.D.	Bore	Hub Dia
32-12	12	.438"	.375"	5/32"	9/32
32-14	14	.500"	.438"	5/32"	5/16"
32-15	15	.532"	.469"	5/32"	5/16"
32-16	16	.562"	.500"	5/32"	11/32"
32-18	18	.625"	.562"	5/32"	11/32"
32-20	20	.688"	.625"	3/16"	15/32"
32-22	22	.750"	.688"	3/16"	1/2"
32-24	24	.812"	.750"	3/16"	1/2"
32-25	25	.844"	.782"	3/16"	9/16"
32-26	26	.875"	.813"	3/16"	9/16"
32-28	28	.938"	.875"	3/16"	1/2"
32-30	30	1.000"	.938"	3/16"	9/16"
32-32	32	1.062"	1.000"	1/4"	5/8"
32-34	34	1.125"	1.062"	1/4"	39/64"
32-36	36	1.187"	1.125"	1/4"	39/64"
32-38	38	1.250"	1.187"	1/4"	39/64"
32-40	40	1.312"	1.250"	1/4"	39/64"
32-42	42	1.375"	1.312"	1/4"	39/64"
32-44	44	1.438"	1.375"	1/4"	39/64"
32-48	48	1.562"	1.500"	1/4"	5/8"
32-52	52	1.688"	1.625"	5/16"	43/64"
32-56	56	1.812"	1.750"	5/16"	43/64"
32-64	64	2.062"	2.000"	5/16"	43/64"
32-72	72	2.312"	2.250"	5/16"	13/16"
32-80	80	2.562"	2.500"	5/16"	13/16"
32-96	96	3.062"	3.000"	5/16"	13/16"

48 Pitch - 20° Pressure Angle

Part No.	# of Teeth	O.D.	P.D.	Bore	Hub Dia.
48-18	18	.417"	.375"	5/32"	5/16"
48-19	19	.438"	.396"	5/32"	5/16"
48-20	20	.458"	.417"	5/32"	11/32"
48-21	21	.479"	.438"	5/32"	11/32"
48-22	22	.500"	.458"	5/32"	3/8"
48-23	23	.521"	.479"	5/32"	3/8"
48-24	24	.542"	.500"	5/32"	13/32"
48-25	25	.562"	.521"	5/32"	13/32"
48-26	26	.583"	.542"	5/32"	29/64"
48-27	27	.604"	.562"	5/32"	29/64"
48-28	28	.625"	.583"	5/32"	31/64"
48-29	29	.646"	.604"	5/32"	31/64"
48-30	30	.667"	.625"	5/32"	1/2"
48-31	31	.688"	.646"	3/16"	35/64"
48-32	32	.708"	.667"	3/16"	35/64"
48-33	33	.729"	.688"	3/16"	35/64"
48-34	34	.750"	.708"	3/16"	35/64"
48-35	35	.771"	.729"	3/16"	35/64"
48-36	36	.792"	.750"	3/16"	35/64"
48-37	37	.813"	.771"	3/16"	35/64"
48-38	38	.833"	.792"	3/16"	35/64"
48-39	39	.854"	.813"	3/16"	35/64"
48-40	40	.875"	.833"	3/16"	35/64"
48-42	42	.917"	.875"	3/16"	35/64"
48-44	44	.958"	.917"	3/16"	35/64"
48-45	45	.979"	.938"	3/16"	35/64"
48-48	48	1.042"	1.000"	1/4"	39/64"
48-52	52	1.125"	1.083"	1/4"	39/64"
48-54	54	1.168"	1.125"	1/4"	39/64"
48-56	56	1.208"	1.168"	1/4"	39/64"
48-60	60	1.292"	1.250"	1/4"	39/64"
48-64	64	1.375"	1.333"	1/4"	39/64"
48-66	66	1.416"	1.375"	1/4"	39/64"
48-72	72	1.542"	1.500"	1/4"	39/64"
48-80	80	1.708"	1.667"	1/4"	39/64"
48-84	84	1.792"	1.750"	1/4"	39/64"
48-96	96	2.042"	2.000"	1/4"	39/64"
48-100	100	2.125"	2.083"	1/4"	39/64"
48-108	108	2.292"	2.250"	1/4"	39/64"
48-120	120	2.542"	2.500"	1/4"	39/64"



* Bore Tolerance +.001/-.002 AGMA Quality 5

Plastock®

11 Danco Road, Putnam CT 06260 To Order Call 1-800-752-7865

Catalogue Items – P/N Codes

Pitch

MXL - .0800 Pitch
40 DP - .0816 Pitch
XL – 1/5 Pitch
L – 3/8 Pitch

Pulley Codes

SF - Single Flange
DF – Double Flange
AI – Aluminum Insert
AH – Aluminum Hub
BI – Brass Insert
BH – Brass Hub
1S – One Set Screw
2S – Two Set Screws
TH - Thru Hole
K – Key Way
DB – Dee Bore
HB – Hubless

Special Bore Sizes if Other than Standard

1 = 1”
2 = 1/2”
3 = 3/8”
4 = 1/4”
5 = 5/16”
6m = 6 mm
8m = 8 mm
10m = 10 mm
SB = Special Bore as specified in description

Pulley Special Example:

Stock Catalogue Item 26T0800DF
With Alum. Insert and (2) set screws 26T0800DF2AI2S

Gear Special Example:

Stock Catalogue Item 20-40
With 1/2” Dee Bore and (1) set screw 20-40DB1S

Belt Widths

012 = 1/8”
018 = 3/16”
025 = 1/4”
037 = 3/8”
050 = 1/2”
075 = 3/4”
100 = 1”

Sprocket Material Codes

NB = Nylatron GS
KN = Kynar PVDF
PPG = Polypropylene

Chain Material Codes

N = Nylatron
K = Kynar
D = Delrin
PP = Polypro

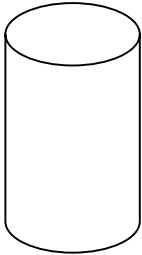
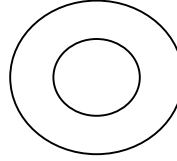
Plastock®

11 Danco Road, Putnam CT 06260 To Order Call 1-800-752-7865

Stock Shape Sample Sizes

Bushing Sizes

1/4" ID x 3/4" OD x 3/4" Length
1/2" ID x 1" OD x 1" Length
3/4" ID x 1 1/2" OD x 1 1/2" Length

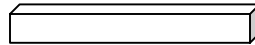


Solid Rod Sizes

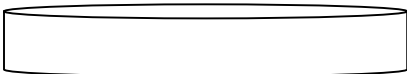
1/2" Diameter x 4" Length
3/4" Diameter x 4" Length

Rectangular Flat Size

2 1/2" Length x 2 1/2" Width x 1" Thick



Disc Sizes



5" Diameter x 3/8" Thick
5" Diameter x 1/2" Thick
5" Diameter x 3/4" Thick
5" Diameter x 1" Thick
5" Diameter x 1 1/4" Thick
5" Diameter x 1 1/2" Thick

**For a quotation specify material, size and quantity desired.
Minimum order \$500.00**

Plastock®

11 Danco Road, Putnam CT 06260 To Order Call 1-800-752-7865

Conversion Table

Inch – Millimeter Equivalents

Fract.	Decimal	Mm	Fract.	Decimal	Mm	Fract.	Decimal	Mm	Fract.	Decimal	Mm
	.00004	.001		.13780	3.5	19/32	.59375	15.081		1.57480	40
	.00039	.01	9/64	.14063	3.5719		.600	15.24		1.65354	42
	.00079	.02		.150	3.810	39/64	.60938	15.478	1-3/4	1.750	44.45
	.001	.025	5/32	.15625	3.9688		.61024	15.5		1.77170	45
	.00118	.03		.15748	4	5/8	.6250	15.875		1.88976	48
	.00157	.04	11/64	.17188	4.3656		.62992	16		1.96850	50
	.00197	.05		.1750	4.445	41/64	.64063	16.271	2	2.00	50.8
	.002	.051		.17717	4.5		.64961	16.5		2.04724	52
	.00236	.06	3/16	.18750	4.7625		.650	16.51		2.16540	55
	.00276	.07		.19685	5	21/32	.65625	16.668		2.20472	56
	.003	.0762		.20	5.08		.66929	17	2-1/4	2.250	57.15
	.00315	.08	13/64	.20313	5.1594	43/64	.67188	17.065		2.36220	60
	.00354	.09		.21654	5.5	11/16	.68750	17.462	2-1/2	2.500	63.5
	.00394	.1	7/32	.21875	5.5562		.68898	17.5		2.51968	64
	.004	.1016		.2250	5.715		.700	17.78	2-3/4	2.750	69.85
	.005	.1270	15/64	.23438	5.9531	45/64	.70313	17.859		2.83464	72
	.006	.1524		.23622	6		.70866	18		2.95280	75
	.007	.1778	1/4	.250	6.35	23/32	.71875	18.256	3	3.000	76.2
	.00787	.2		.25591	6.5		.72835	18.5		3.14960	80
	.008	.2032	17/64	.26563	6.7469	47/64	.73438	18.653	3-1/2	3.500	88.9
	.009	.2286		.275	6.985		.74803	19		3.54330	90
	.00984	.25		.27559	7	3/4	.750	19.050		3.39370	100
	.01	.254	9/32	.28125	7.1438	49/64	.76563	19.446	4	4.000	101.6
	.01181	.3		.29528	7.5		.76772	19.5		4.33070	110
	.01563	.3969	19/64	.29688	7.5406	5/32	.78125	19.843	4-1/2	4.500	114.3
	.01575	.4		.30	7.62		.78740	20		4.72440	120
	.01969	.5	5/16	.3125	7.9375	51/64	.79688	20.240	5	5.000	127
	.02	.508		.31496	8		.800	20.320		5.51180	140
	.02362	.6	21/64	.32813	8.3344		.80709	20.5		5.90550	150
	.025	.635		.33465	8.5	13/16	.81250	20.637	6	6.000	152.4
	.02756	.7	11/32	.34375	8.7312		.82677	21		6.29920	160
	.0295	.75		.350	8.89	53/64	.82813	21.034		7.08660	180
	.03	.762		.35433	9	27/32	.84375	21.431		7.8740	200
	.03125	.7938	23/64	.35938	9.1281		.84646	21.5	8	8.000	203.2
	.0315	.8		.37402	9.5		.850	21.590		8.66140	220
	.03543	.9	3/8	.375	9.525	55/64	.85938	21.828		9.44880	240
	.03937	1	25/64	.39063	9.9219		.86614	22		9.84250	250
	.04	1.016		.39370	10	7/8	.875	22.225	10	10.000	254
	.04687	1.191		.400	10.16		.88583	22.5		10.23620	260
	.04724	1.2	3/32	.40625	10.318	57/64	.89063	22.621		11.02360	280
	.05	1.27		.41339	10.5		.900	22.860		11.8110	300
	.05512	1.4	27/64	.42188	10.715		.90551	23	1 foot	12.000	304.8
	.05906	1.5		.43307	11	29/32	.90625	23.018		12.59840	320
	.06	1.524	7/16	.43750	11.112	59/64	.92188	23.415		13.38580	340
	.06250	1.5875		.450	11.430		.92520	23.5		13.77950	350
	.06299	1.6		.45276	11.5	15/16	.93750	23.812		14.17320	360
	.06693	1.7	29/64	.45313	11.509		.94488	24		14.96060	380
	.07	1.778	15/32	.46875	11.906		.950	24.130		15.7480	400
	.07087	1.8		.47244	12	61/64	.95313	24.209	16	16.000	406.4
	.075	1.905	31/64	.48438	12.303		.96457	24.5		17.71650	450
5/64	.07813	1.9844		.49213	12.5	31/32	.96875	24.606		19.6850	500
	.07874	2	1/2	.500	12.7		.98425	25	20	20.000	508
	.08	2.032		.51181	13	63/64	.98438	25.003		23.6220	600
	.08661	2.2	33/64	.51563	13.096	1	1.000	25.4	2 feet	24.000	609.6
	.09	2.286	17/32	.53125	13.493		1.06299	27	3 feet	36.000	914.4
	.09055	2.3		.53150	13.5		1.10240	28		39.370	1 metre
3/32	.09375	2.3812	35/64	.54688	13.890		1.8110	30	4 feet	48.000	1.219.2
	.09843	2.5		.550	13.970	1-1/4	1.250	31.75	5 feet	60.000	1.524
	.1	2.54		.55118	14		1.29921	33	6 feet	72.000	1.828.8
	.10236	2.6	9/16	.56250	14.287		1.3780	35		78.740	2 metre
7/64	.10937	2.7781		.57087	14.5		1.41732	36	8 feet	96.000	2.438.4
	.11811	3	37/64	.57813	14.684	1-1/2	1.500	38.1		118.110	3 metre
1/8	.125	3.175		.59055	15		1.53543	39		196.850	5 metre

Putnam Precision Molding is an approved supplier to the following industries:

Adhesive
Aerospace
Appliance
Automotive
Business Machines
Computer Peripherals
Conveyor Systems
Dental Equipment
Electronics
Elevators
Environmental
Firefighter Protection Equipment
Fitness Equipment
Fluid Power
General Industrial
Marine Industry
Packaging Equipment
Photographic
Surveillance
Telecommunications
Vending
Weighing & Measuring

And other industries which have special requirements dealing with chemical/corrosion resistance, pressure, lubricity, high temperatures and wear. Many of our major customers are Fortune 500 companies.